

seppi m.

SPARE PARTS LIST

LISTINO RICAMBI / ERSATZTEILLISTE / LISTE DE PIÈCES DE RECHANGE / LISTADO DE REPUESTOS

M391720002 - SUPERSOIL L=250 141+383 018 025 049 138

| Code | Description | Descrizione | Beschreibung | Description | Descripción |
|---------|---------------------------------|--------------------------|---------------------------------|--------------------------|----------------------------|
| 01-0064 | Frame | telaio | Rahmen | Chassis | Chasis |
| 02-0035 | Rotor | rotore | Rotor | Rotor | Rotor |
| 03-0098 | alignment of the PTO shaft | allineamento del cardano | Neigungsanpassung des Getriebes | alignment du Boitier | alineación del cardàn |
| 03-0117 | Transmission | trasmissione | Getriebe | Transmission | Transmision |
| 08-0010 | Hutch | cofano | Haube | Capot | Capó |
| 15-0012 | hydr operated compacting roller | rullo compattatore | hydr Nivellierungswalze | rouleau de nivelage hydr | rodillo de nivelacion hidr |

Released 14/07/2014

Frame

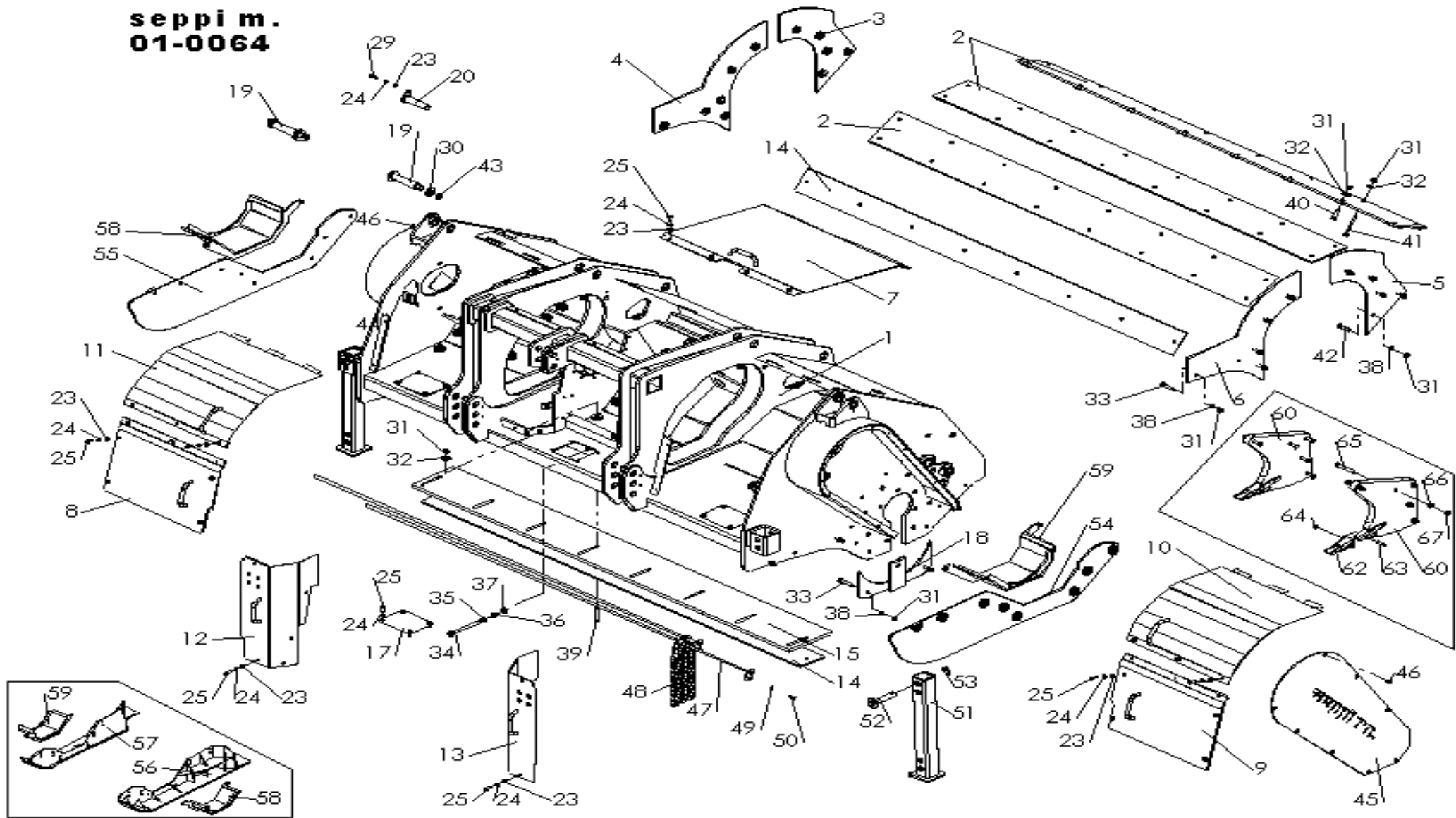
telaio

Rahmen

Chassis

Chasis

seppi m.
01-0064



| Pos. | Code | Descrizione | Description | Beschreibung | Description | Descripción | Quantity |
|------|----------|--|--|---|--|--|----------|
| 001 | 17201077 | TELAIO CPL SUPERSOIL L=250 | FRAME CPL SUPERSOIL L=250 MODIFICATION | KPL. RAHMEN SUPERSOIL L=250 AENDERUNG | CHASSIS CPL SUPERSOIL L=250 MODIFICATION | CHASIS CPL SUPERSOIL L=250 MODIFICA | 1 |
| 002 | 17201024 | PIATTO ANTIUSURA L=2460 CPL | WEAR PLATE | KPL. PLATTE, VERSCHLEISSFEST L=2460 | PLATEAU ANTI-USURE L=2460 CPL | PLATO ANTIDESGASTE L=2460 CPL | 3 |
| 003 | 17201030 | PIASTRA ANTIUSURA POSTERIORE CPL DX | WEAR PLATE REAR R | KPL. PLATTE, VERSCHLEISSFEST HINTEN RX | PLAQUE ANTI-USURE POSTÉRIEUR CPL DROITE | PLACA ANTIDESGASTE POSTERIOR CPL DER | 1 |
| 004 | 17201097 | PIASTRA ANTIUSURA ANTERIORE CPL DX 11 | WEAR PLATE FRONT R | KPL.PLATTE, VERSCHLEISSFEST VORN RX 11 | PLAQUE ANTI-USURE ANTÉRIEUR CPL D.11 | PLACA ANTIDESGASTE ANTERIOR CPL DER 11 | 1 |
| 005 | 17201029 | PIASTRA ANTIUSURA POSTERIORE CPL SX | WEAR PLATE REAR L | KPL. PLATTE, VERSCHLEISSFEST HINTEN LX | PLAQUE ANTI-USURE ANTÉRIEUR CPL GAUCHE | PLACA ANTIDESGASTE POSTERIOR CPL IZQ | 1 |
| 006 | 17201098 | PIASTRA ANTIUSURA ANTERIORE CPL SX 11 | WEAR PLATE FRONT L | KPL.PLATTE, VERSCHLEISSFEST VORN LX 11 | PLAQUE ANTI-USURE ANTÉRIEUR CPL G.11 | PLACA ANTIDESGASTE ANTERIOR CPL IZQ 11 | 1 |
| 007 | 17210010 | COPERCHIO CENTRALE SUP CPL | UPPER CENTRAL COVER CPL | KPL. DECKEL ZENTR. HALTERUNG | COUVERCLE CENTRAL SUP CPL | TAPA CENTRAL SUP CPL | 1 |
| 008 | 17201088 | COPERCHIO LAT SMONTABILE CPL DX 250 11 | REMOVABLE RH SIDE COVER CPL 250 11 | KPL.DECKEL SEITL.DEMONT.RX 250 11 | COUVERCLE LAT DÉMONTABLE CPL D.250 11 | TAPA LAT DESMONTABLE CPL DER 250 11 | 1 |
| 009 | 17201090 | COPERCHIO LAT SMONTABILE CPL SX 250 11 | REMOVABLE LH SIDE COVER CPL 250 11 | KPL.DECKEL SEITL.DEMONT.LX 250 11 | COUVERCLE LAT DÉMONTABLE CPL G.250 11 | TAPA LAT DESMONTABLE CPL IZQ 250 11 | 1 |
| 010 | 17210021 | COPERCHIO LAT SX 250 CPL | LH SIDE COVER 250 CPL | KPL. DECKEL SEITL. LINKS 250 | COUVERCLE LAT GAUCHE 250 CPL | TAPA LAT IZQ 250 CPL | 1 |
| 011 | 17210023 | COPERCHIO LAT DX 250 CPL | RH SIDE COVER 250 CPL | KPL. DECKEL SEITL. RECHTS 250 | COUVERCLE LAT DROIT 250 CPL | TAPA LAT DER 250 CPL | 1 |
| 012 | 17201084 | COPERCHIO ANTERIORE DX CPL CENTRALE 11 | RH CENTRAL FRONT COVER CPL 11 | KPL. DECKEL VORN RECHTS ZENTR. 11 | COUVERCLE ANTERIEUR DROIT CPL CENTRAL 11 | TAPA ANTERIOR DER CPL CENTRAL 11 | 1 |
| 013 | 17201085 | COPERCHIO ANTERIORE SX CPL CENTRALE 11 | LH CENTRAL FRONT COVER CPL 11 | KPL.DECKEL VORN LINKS ZENTR.11 | COUVERCLE ANTERIEUR G.CPL CENTRAL 11 | TAPA ANTERIOR IZQ CPL CENTRAL 11 | 1 |
| 014 | 17201066 | BLOCCAGGIO CPL L=250 X PIATTO ANTIUS REG | TOOL LUG | FIX.KPL L=250 F.PLATTE VERSCHLEISSF.REGU | BLOCAGE CPL L=250XPLATEAU ANTIUS RÉG | BLOQUEO CPL L=250XPLATO ANTIDESG REG | 2 |
| 015 | 17201064 | PIATTO ANTIUSURA REGOLABILE L=2450 | ADJUSTABLE ANTIWEAR PLATE L=2450 | PLATTE VERSCHLEISSF.EINSTELLBAR L=2450 | PLATEAU ANTI-USURE RÉGLABLE L=2450 | PLATO ANTIDESGASTE REGULABLE L=2450 | 1 |
| 017 | 18701122 | COPERCHIETTO X APERTURA DI REGISTRO | COVER X REGULATING OPENING | DECKEL FUER REGULIERUNGSOEFFNUNG | COUVERCLE POUR OUVERTURE DE BUTÉE | TAPA X APERTURA DE REGISTRO | 3 |
| 018 | 17201022 | LINGUELLA X SUPERSOIL CPL | TAB X SUPERSOIL CPL | VERSCHL.STUECK FUER SUPERSOIL KPL | CHARNIERE POUR SUPERSOIL CPL | LENGÜETA X SUPERSOIL CPL | 2 |
| 019 | 18704001 | PERNO CON GOCCIA D36,6X153 M30X1,5 M12 | PIN WITH DRIP D36,6X153 M30X1,5 M12 | BOLZEN M.PLATTE D36,6X153 M30X1,5 M12 | PIVOT AVEC GOUTTE D36,6X153 M30X1,5 M12 | PERNO CON GOTA D36,6X153 M30X1,5 M12 | 2 |
| 020 | 20004040 | PERNO CON GOCCIA D31,7X135 INT=45 M10 | PIN WITH PLATE D31,7 X L=135 INT=45 | BOLZEN M. PLATTE D31,7 X L=135 INT=45 | GAUJON A.PLAQUE D31,7 X L=135 INT=45 | PERNO CON PLACA D31,7 X L=135 INT=45 | 1 |
| 024 | 97494931 | RONDELLA DIN 127B ELSP-10,2X18,1X2,2 Z | WASHER ELSP ASA B- 27 - 10,2X18,1X2,2 ZN | SCHEIBE ELSP ASA B-27 - 10,2X18,1X2,2 ZN | RONDELLE ELS ASA B- 27 - 10,2X18,1X2,2 Z | ARANDELA ELSP ASA B-27-10,2X18,1X2,2 ZN | 41 |
| 025 | 96607723 | VITE TE M10X 30 UNI 5739 10,9 ZN | BOLT TE M10X 30 UNI 5739 10,9 ZN | SCHRAUBE TE M 10 X 30 UNI 5739 10,9 ZN | VIS TE M10X 30 UNI 5739 10,9 ZN | TORNILLO TE M10X 30 UNI 5739 10,9 ZN | 40 |
| 026 | 96609921 | VITE TE M12X 30 UNI 5739 8,8 ZN | BOLT TE M 12X030 UNI 5739 8,8 ZN | SCHRAUBE TE M 12 X 30 UNI 5739 8,8 ZN | VIS TE M 12X030 UNI 5739 8,8 ZN | TORNILLO TE M12X 30 UNI 5739 8,8 ZN | 2 |
| 027 | 97495031 | RONDELLA DIN 127B ELSP-12,2X21,2X2,5 Z | WASHER ELSP ASA B- 27 - 12,2X21,2X2,5 ZN | SCHEIBE ELSP ASA B-27 - 12,2X21,2X2,5 ZN | RONDELLE ELS ASA B- 27 - 12,2X21,2X2,5 Z | ARANDELA ELSP ASA B-27-12,2X21,2X2,5 ZN | 2 |
| 028 | 97093211 | ROSETTA PIANA CARPENT. M12 ZN UNI5714 | WASHER | GLATTE SCHEIBE F. M12 UNI 5714 ZN | RONDELLE LISSE M M12 UNI 5714 | ARANDELA PLANA CARPINT.X M12 UNI 5714 ZN | 2 |
| 029 | 96607721 | VITE TE M10X 30 UNI 5739 8,8 ZN | BOLT TE M 10X030 UNI 5739 8,8 ZN | SCHRAUBE TE M 10 X 30 UNI 5739 8,8 ZN | VIS TE M 10X030 UNI 5739 8,8 ZN | TORNILLO TE M10X 30 UNI 5739 8,8 ZN | 1 |
| 030 | 97094011 | ROSETTA PIANA 30,5X56X4,0 M30 ZN UNI6592 | SMOOTH WASHER UNI 6592 - 31,0X56X4,0ZN | GLATTE SCHEIBE UNI 6592 - 31X56X4 ZN | RONDELL.LISSE UNI 6592 - 31,0X56X4,0 ZN | ARANDELA PLANA UNI 6592-31,0X56X4,0 ZN | 2 |
| 031 | 97972321 | DADO AUTOBLOC.BASSO M14-6S UNI7474 | LOW.SELFBLOCK.NUT M 14-6S UNI7474 | SELBSTSICHER.MUTTER M14 -6S UNI7474 NIED. | ECROU AUTOSERR.M 14-6S UNI7474 | TUERCA AUTO BLOQ. BAJA M 14-6S UNI7474 | 92 |

| | | | | | | | |
|-----|----------|--|--|--|--|--|----|
| 032 | 19201010 | MOLLA A TAZZA 40X14,3X2 | SPRING 40X14,3X2 N | TELLERFEDER 40X14,3X2 | RESSORT 40X14,3X2 N | MUELLE 40X14,3X2 N | 64 |
| 033 | 96613027 | VITE TE M14X 70 UNI 5737 8.8 NERA | HEX HEAD SCREW M14X 70 UNI 5737 8.8 BLAC | SCHRAUBE TE M14X 70 UNI 5737 8.8 SCHW. | VIS TH M14X 70 UNI 5737 8.8 NOIRE | TORNILLO TE M10X 70 UNI 5737 8.8 NEGRO | 10 |
| 033 | 96611927 | VITE TE M14X 60 UNI 5737 8.8 NERA | HEX HEAD SCREW M14X 60 UNI 5737 8.8 BLAC | SCHRAUBE TE M14X 60 UNI 5737 8.8 SCHW. | VIS TH M14X 60 UNI 5737 8.8 NOIRE | TORNILLO TE M14X 60 UNI 5737 8.8 NEGRO | 8 |
| 034 | 18701077 | TIRANTE REGOLAZIONE PIASTRA IN HARDOX | PLATE ADJUSTMENT TIE ROD IN HARDOX | ZUGSTAB PLATTENEINSTELLUNG IN HARDOX | TIRANT RÉGLAGE PLAQUE EN HARDOX | TIRANTE DE REGULACIÓN DE PLACA DE HARDOX | 3 |
| 035 | 96980671 | DADO M18-6S UNI5589 BASSO H=09 | NUT M18-6S UNI5589 | MÜTTER M 18-6S UNI5589 H=09 NIEDER | ECR.M18-6S UNI5589 | TUERCA M18-6S UNI5589 BAJA H=09 | 3 |
| 036 | 97495331 | RONDELLA DIN 127B ELSP-18,2X29,4X3,5 Z | WASHER ELSP ASA B- 27 - 18,2X29,4X3,5 ZN | SCHEIBE ELSP ASA B-27 - 18,2X29,4X3,5 ZN | RONDELLE ELS ASA B- 27 - 18,2X29,4X3,5 Z | ARANDELA ELSP ASA B-27-18,2X29,4X3,5 ZN | 3 |
| 037 | 97095911 | ROSETTA PIANA 19,0X34X3,0 M18 ZN UNI6592 | SMOOTH WASHER UNI 6592 - 18X34X3,0 ZN | GLATTE SCHEIBE UNI 6592 - 18X34X3 ZN | RONDELL.LISSE UNI 6592 - 18X34X3,0 ZN | ARANDELA PLANA UNI 6592-18,0X34X3,0 ZN | 3 |
| 038 | 97495134 | RONDELLA DIN 127B ELSP-14,2X24,1X3 N | WASHER ELSP ASA B- 27 - 14,2X24,1X3 N | SCHEIBE ELSP ASA B- 27 - 14,2X24,1X3 N | RONDELLE ELS ASA B- 27 - 14,2X24,1X3 N | ARANDELA ELSP ASA B-27-14,2X24,1X3 N | 28 |
| 039 | 96613227 | VITE TE M14X 90 UNI 5737 8.8 NERA | BOLT TE M14X 90 UNI 5737 8.8 NERA | SCHRAUBE TE M 14 X 90 UNI 5737 8.8 SCHW | VIS TE M14X 90 UNI 5737 8.8 NERA | TORNILLO TE M14X 90 UNI 5737 8.8 NERA | 8 |
| 040 | 96612727 | VITE TE M14X 55 UNI 5739 8.8 NERA | BOLT TE M14X 55 UNI 5739 8.8 NERA | SCHRAUBE TE M 14 X 55 UNI 5739 8.8 SCHW | VIS TE M14X 55 UNI 5739 8.8 NERA | TORNILLO TE M14X 55 UNI 5739 8.8 NERA | 50 |
| 041 | 96621727 | VITE TE M14X120 UNI 5739 8.8 NERA | HEX HEAD SCREW M14X120 UNI 5739 8.8 BLAC | SCHRAUBE TE M14X120 UNI 5739 8. SCHW. | VIS TH M14X120 UNI 5739 8.8 NOIRE | TORNILLO TH M14X120 UNI 5739 8.8 NEGRO | 8 |
| 042 | 96611827 | VITE TE M14X 50 UNI 5737 8.8 NERA | HEX HEAD SCREW M14X 50 UNI 5737 8.8 BLAC | SCHRAUBE TE M14X 50 UNI 5737 8.8 SCHW. | VIS TH M14X 50 UNI 5737 8.8 NOIRE | TORNILLO TE M14X 50 UNI 5737 8.8 NEGRO | 8 |
| 043 | 75000180 | GHIERA AUTOBLOCCANTE M30 X 1,5 | SELF LOCKING RING NUT M30 X 1,5 | SELBSTFIX.NUTMÜTTER M30 X 1,5 | ANNEAU DE FIXATION AUTO-BLOQUANT M30 X 1 | VIROLA AUTO BLOQUEADORA M30 X 1,5 | 2 |
| 044 | 17210003 | COPERCHIO CINGHIE SUPERSOIL DX CPL | RH BELT COVER SUPERSOIL CPL | KPL. DECKEL KEILRIEMEN SUPERSOIL RECHTS | COUVERCLE COURROIES SUPERSOIL DROIT CPL | TAPA DE CORREAS SUPERSOIL DER CPL | 1 |
| 045 | 17210002 | COPERCHIO CINGHIE SUPERSOIL SX CPL | LH BELT COVER SUPERSOIL CPL | KPL. DECKEL KEILRIEMEN SUPERSOIL LINKS | COUVERCLE COURROIES SUPERSOIL GAUCHE CPL | TAPA DE CORREAS SUPERSOIL IZQ CPL | 1 |
| 047 | 19010011 | ASTA PORTACATENE CPL TEL FORST L=250 | CPL CHAIN-HOLDER BAR F.FRAME FORST 250 | KPL. STAB F.KETTENSCHUTZ /RAHM.FO RST250 | BARRE PORTE-CHAI.CPL P.CHASSIS FORST 25 | BARRA PORTA-CADENAS CPL CHASIS FORST 250 | 2 |
| 048 | 19010027 | CATENA DI PROTEZIONE 17 MAGLIE FILO 12 | CHAIN PROT. 17 CHAINS LINK 12 | SCHUTZKETTE 17-MASCHEN 12 MM | CHAINE DE PROT. 17 CHAIN.MAIL. 12 | CADENA DE PROTECC. 17 ESLABONES HILO 12 | 98 |
| 049 | 97494931 | RONDELLA DIN 127B ELSP-10,2X18,1X2,2 Z | WASHER ELSP ASA B- 27 - 10,2X18,1X2,2 ZN | SCHEIBE ELSP ASA B-27 - 10,2X18,1X2,2 ZN | RONDELLE ELS ASA B- 27 - 10,2X18,1X2,2 Z | ARANDELA ELSP ASA B-27-10,2X18,1X2,2 ZN | 2 |
| 050 | 96607621 | VITE TE M10X 25 UNI 5739 8.8 ZN | BOLT TE M 10X025 UNI 5739 8.8 ZN | SCHRAUBE TE M 10 X 25 UNI 5739 8.8 ZN | VIS TE M 10X025 UNI 5739 8.8 ZN | TORNILLO TE M10X 25 UNI 5739 8.8 ZN | 2 |
| 051 | 17210032 | PIEDINO DI APPOGGIO CPL | SUPPORT FOOT CPL | KPL. STUETZE | PIED D'APPUI CPL | PIE DE APOYO CPL | 2 |
| 052 | 17210033 | PERNO BLOCCAGGIO PIEDINO | FOOT CLAMPING PIN | FIXIERBOLZEN STUETZE | PIVOT DE BLOCAGE PIED | PERNO DE BLOQUEO DEL PIE | 2 |
| 053 | 16004014 | SPINAA SCATTO D.10 | PIN D. 10 | SPERRBOLZEN DM 10 | GOUJON D. 10 | PERNO A SCATTO D.10 | 2 |
| 054 | 17207026 | SLITTA SX SUPERSOIL | LH SKID SUPERSOIL | KUFE LINKS SUPERSOIL | PATIN GAUCHE SUPERSOIL | PATÍN IZQ SUPERSOIL | 1 |
| 055 | 17207028 | SLITTA DX SUPERSOIL | RH SKID SUPERSOIL | KUFE RECHTS SUPERSOIL | PATIN DROIT SUPERSOIL | PATÍN DER SUPERSOIL | 1 |
| 058 | 17207015 | CHIUSURA CINGHIA DX | RH BELT CLOSING | VERSCHLUSS KEILRIEMEN RECHTS | FERMETURE COURROIE DROITE | CIERRE DE CORREA DER | 1 |
| 059 | 17207013 | CHIUSURA CINGHIA SX | LH BELT CLOSING | VERSCHLUSS KEILRIEMEN LINKS | FERMETURE COURROIE GAUCHE | CIERRE DE CORREA IZQ | 1 |

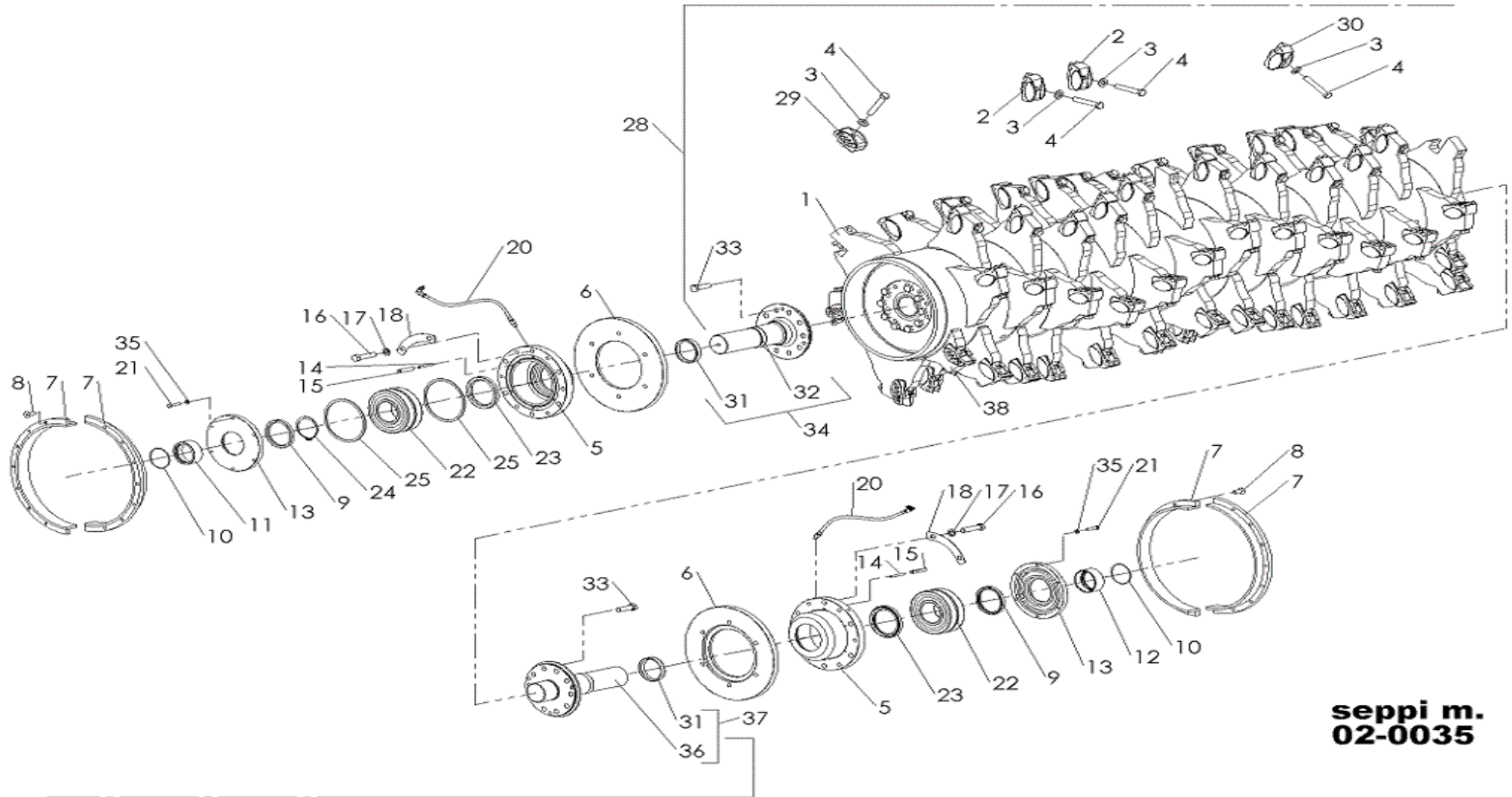
Rotor

rotore

Rotor

Rotor

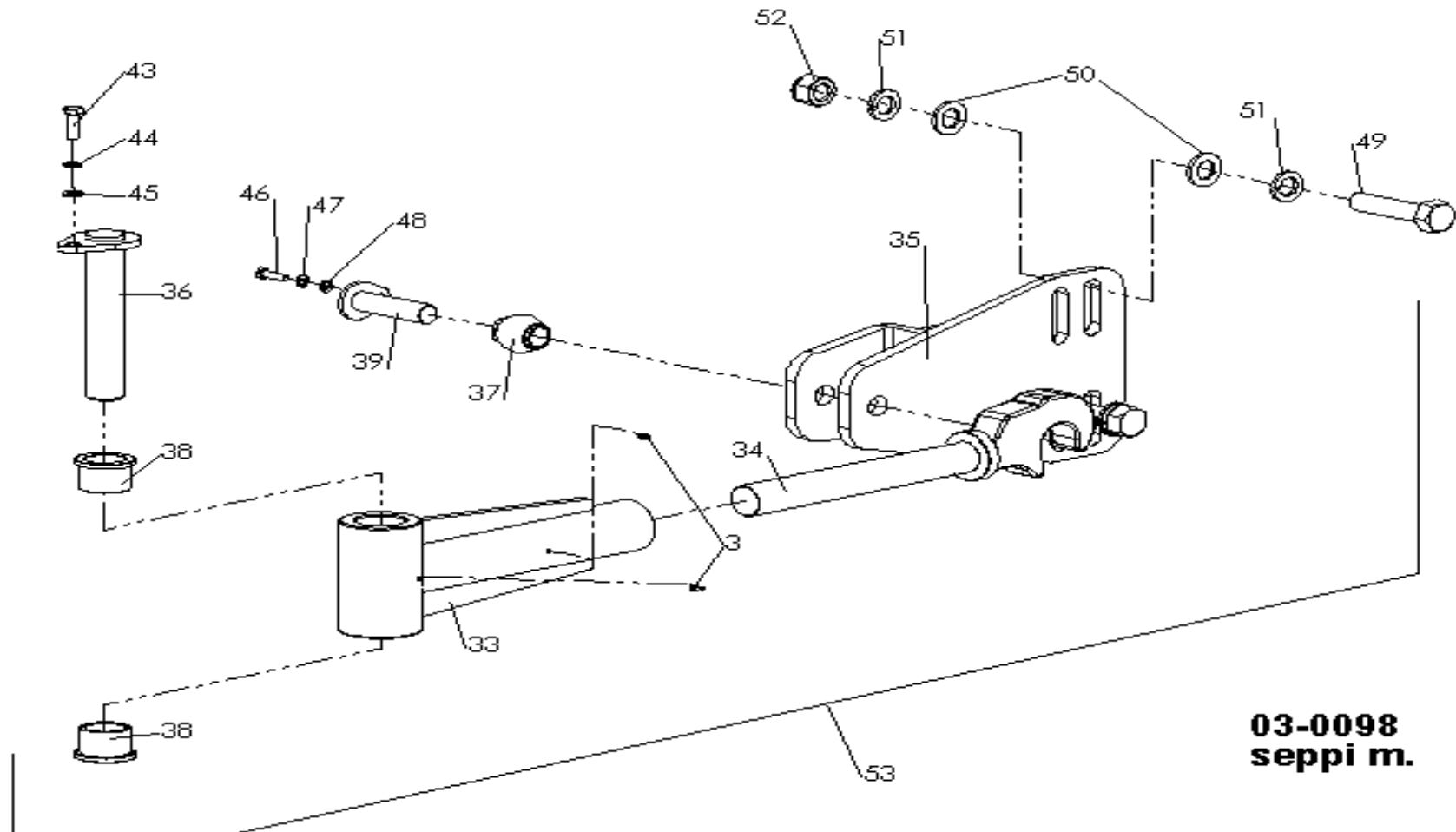
Rotor



seppi m.
02-0035

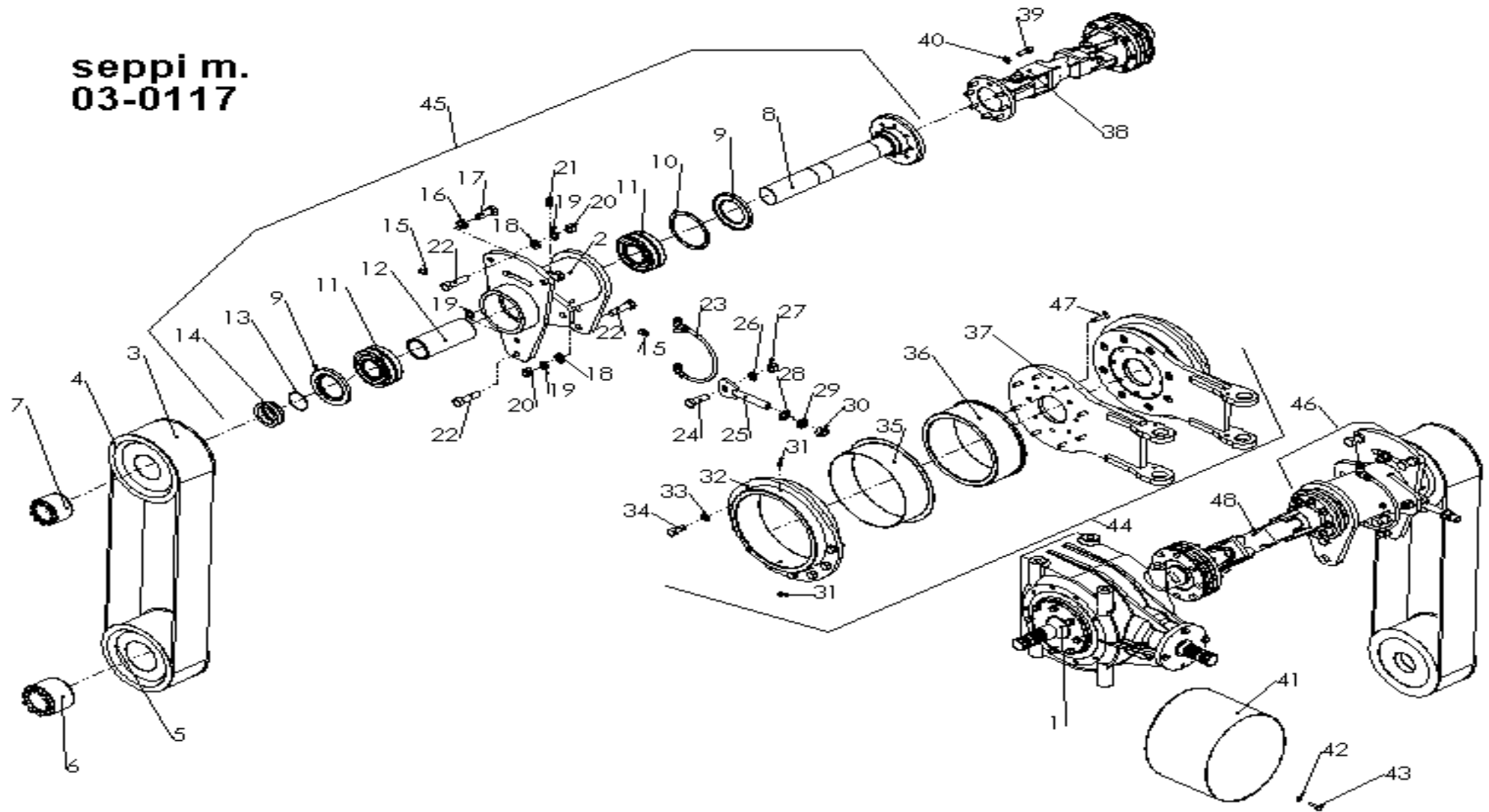
| Pos. | Code | Descrizione | Description | Beschreibung | Description | Descripción | Quantity |
|------|----------|---|--|--|---|--|----------|
| 001 | 18702128 | SUPPORTO X FC | HAMMER SUPPORT SUPERSOIL INTERNAL | SCHLAEGELHALTER SUPERSOIL INTERN | SUPPORT MARTEAU SUPERSOIL INTERNE | SOPORTE MARTILLO SUPERSOIL INTERNO | 78 |
| 002 | 18702163 | UTENSILE MONO PROTECT | CARBIDE HAMMER MONO PROTECT (5 TIPS) | WERKZEUG MONO PROTECT (5 HARTMET. EINS.) | MARTEAU MONO PROTECT (5 PLAQ. TUNGSTENE) | MARTILLO MONO PROTECT (5 PLAC. CARBURO) | 76 |
| 003 | 97092171 | ROSETTA EL. CONICA UNI 8836 16,4X32X2,8 | SPRING WASHER UNI 7064 16,4X32X2,8 | KONISCHE FEDERSCHEIB.UNI7064 16,4X32X2,8 | RONDELL 7064 16,4X32X2,8 | ARANDELA CONICA EL. UNI 7064 16,4X32X2,8 | 84 |
| 004 | 96615525 | VITE TE M16X100 X 1,5 10,9 NERA U5738 | BOLT TE M16 X 100 X 1,5 10,9 BLACK | SCHRAUBE TE M 16 X 100 X 1,5 10,9 SCHW | VIS TE M16X100 X 1,5 10,9 NOIR | TORNILLO TE M16X100X1,5 10,9 NEGRO U5738 | 84 |
| 005 | 18602009 | SUPPORTO CUSCINETTO MOD.99 X FORST D.T. | SUPPORT support MOD.'99 X FORST D.T. | LAGERHALTER MOD '99 FORST DT | SUPPORT ROULEMENT MOD.' 99 X FORST D.T. | SOPORTE COJINETE MOD.99 X FORST D.T. | 2 |
| 006 | 18602013 | CONTROFLANGIA X SUPP CUSCINETTO MOD 99 | FLANGE PROT.FOR SUPPORT support MOD.' 99 | GEGENFLANSCH F. LAGERHALTER '99 | PROT.FLASQUE POUR SUPP.ROULEAU MOD.' 99 | PROT. BRIDA P/SOPORTE COJINETE MOD.' 99 | 2 |
| 007 | 19402075 | SEMIANELLO CPL PROT ROTORE L=45 | PROTECTION RING FOR CPL ROTOR L= 45 | HALBRING F. ROTOR L=45 | BAGUE DE PROTECTION POUR ROTOR CPL L= 45 | JUNTA JUNTA ORING CPL PROT. ROTOR L=45 | 4 |
| 008 | 97345927 | VITE TSEI M12X 30 UNI 5933 10,9 NERA | BOLT TSEI M 12X030 UNI 5933 8.8 BLACK | SCHRAUBE TSEI M 12X30 UNI 5933 8.8 SCHW | VIS TSEI M 12X030 UNI 5933 8.8 NOIRE | TORNILLO TSEI M12X 30 UNI 5933 8.8 NEGRO | 16 |
| 009 | 18602014 | ANELLO DI TENUTA 90 X110 X12 | OIL SEAL 90 X110 X12 | DICHTUNGSRING 90 X110 X12 | BAGUE ETACH. 90 X110 X12 | RETEN 90 X110 X12 | 2 |
| 010 | 97285480 | ANELLO O-RING OR 151/3300 75,87X2,62 | OIL SEAL OR 151/3300 75,87X2,62 | O-DICHTUNGSRING 151/3300 75,87 X 2,62 | BAGUE ETACH OR. 151/3300 75,87X2,62 | RETEN 151/3300 75,87X2,62 | 2 |
| 011 | 18602025 | DISTANZIALE D89 X D75 X L=32,8 | SPACER 90X 75X32.8 | DISTANZBUECHSE 89X 75X32.8 | ENTRETOISE 90X 75X32.8 | RETEN D89 X D75 X L=32,8 | 1 |
| 012 | 18602016 | DISTANZIALE D89 X D75 X L=35,5 | SPACER 90X 75X35.5 | DISTANZSCHEIBE 89X 75X35.5 | ENTRETOISE 90X 75X35.5 | RETEN D89 X D75 X L=35,5 | 1 |
| 013 | 18602012 | COPERCHIO X SUPPORTO CUSCINETTO MOD 99 | COVER FOR SUPPORT support MOD 99 | DECKEL F. LAGERHALTER '99 | COUVERCLE POUR SUPPORT ROULEAU MOD 99 | TAPA X SOPORTE COJINETE MOD 99 | 2 |
| 014 | 97251070 | SPINA ELASTICA 07X60 | ROLL PIN 07X60 | SPANNSTIFT 07 X 60 | GOUJON ELAST. 07X60 | PERNO ELASTICO 07X60 | 6 |
| 015 | 97251270 | SPINA ELASTICA 12X60 | ROLL PIN 12X60 | SPANNSTIFT 12 X 60 | GOUJON ELAST. 12X60 | PERNO ELASTICO 12X60 | 6 |
| 016 | 96615223 | VITE TE M16X 70 UNI 5737 10,9 ZN | BOLT TE M16X 70 UNI 5737 10,9 ZN | SCHRAUBE TE M 16 X 70 UNI 5737 10,9 ZN | VIS TE M16X 70 UNI 5737 10,9 ZN | TORNILLO TE M16X 70 UNI 5737 10,9 ZN | 12 |
| 017 | 97495231 | RONDELLA DIN 127B ELSP-16,2X27,4X3,5 Z | WASHER ELSP ASA B- 27 - 16,2X27,4X3,5 ZN | SCHEIBE ELSP ASA B-27 - 16,2X27,4X3,5 ZN | RONDELLE ELS ASA B- 27 - 16,2X27,4X3,5 Z | ARANDELA ELSP ASA B-27-16,2X27,4X3,5 ZN | 12 |
| 018 | 18902063 | PIASTRINA FISSAVITI ROTORE SUPERFORST | PLATE F.BOLT F.ROTOR FORST-SUPER | PLATTE F. SCHRAUBENFIXIERUNG F. ROTOR | PLAQUE P.VIS P.ROTOR FORST-SUPER | PLACA FIJA TORNILLO P.ROTOR FORST-SUX | 6 |
| 020 | 18902062 | TUBETTO L=410 INGRASS. CUSCIN. ROTORE | CPL HOSE F.ROTOR GREASER FORST-SUPER | SCHMIERSCHLAUCH L=410 F.ROTORLAGER | TUBE CPL P.GRAISSEUR ROT.FORST-SUPER | TUBO L=410 ENGRASE COJINETE ROTOR | 2 |
| 020 | 18902126 | GR TUBETTO L=410 INGRASS CUSCIN ROTORE | ROTOR support GREASER TUBE UNIT L=410 | GR. SCHMIERSCHLAUCH L=410 LAGER ROTOR | GR TUYAU L=410 GRAISS ROUL ROTOR | GR TUBO L=410 ENGRASE COJINE. ROTOR | 2 |
| 021 | 96605921 | VITE TE M 8X 40 UNI 5739 8.8 ZN | BOLT TE M 08X040 UNI 5739 8.8 ZN | SCHRAUBE TE M 8 X 40 UNI 5739 8,8 ZN | VIS TE M 08X040 UNI 5739 8.8 ZN | TORNILLO TE M 8X 40 UNI 5739 8.8 ZN | 12 |
| 022 | 18002050 | CUSCINETTO 22316 E 80X170X58 OR.RULLI | support 22316 E 80X170X58 | VERST. ROLLENLAGER 22316 E 80X170X58 | ROULEMENT 22316 E 80X170X58 | RODAMIENTO 22316 E 80X170X58 RODILLOS | 2 |
| 023 | 18602017 | ANELLO DI TENUTA 95 X125 X12 | OIL SEAL 95 X125 X12 | DICHTUNGSRING 95 X125 X12 | BAGUE ETACH. 95 X125 X12 | RETEN 95 X125 X12 | 2 |
| 024 | 96869276 | ANELLO EL. PER ALBERI 80X2,5 | EL.RING F.SHAFTS 80X2,5 | WELLENSPANNRING 80X2,5 | BAGUE ARRET P.ARBRES 80X2,5 | RETEN EL.P.EJES 80X2,5 | 1 |
| 025 | 18602015 | DISTANZIALE D155 X D170 L=3 DI REGISTRO | SPACER 170X155X 3 | EINSTELLRING 170X155X3 | ENTRETOISE 170X155X 3 | RETEN 170X155X 3 | 2 |
| 028 | 17202029 | ROTORE CPL T406DT L=250 OPT141 | ROTOR CPL T406DT L=250 OPT141 | KPL. ROTOR T406DT L=250 OPT141 | ROTOR CPL T406DT L=250 OPT141 | ROTOR CPL F406DT L=250 OPT141 | 1 |
| 029 | 18702207 | UTENSILE MONO EXTREM DX OPT 383 | HAMMER MONO EXTREM DX (5+4 CABBIDE TIPS) | WERKZEUG MONO EXTREM DX (5+4 HARTMETTAL) | MARTEAU MONO EXTREM DX (5+4 PL.TUNGSTENE) | MARTILLO MONO EXTREM DX (5+4 PL.CARBURO) | 4 |
| 030 | 18702208 | UTENSILE MONO EXTREM SX OPT 383 | HAMMER MONO EXTREM SX (5+4 CABBIDE TIPS) | WERKZEUG MONO EXTREM SX (5+4 HARTMETTAL) | MARTEAU MONO EXTREM SX (5+4 PL.TUNGSTENE) | MARTILLO MONO EXTREM SX (5+4 PL.CARBURO) | 4 |
| 031 | 17702076 | DISTANZIALE D80 X D93 L=17 INT X MOZZO | SPACER D80 X D93 L=17 INT X HUB | DISTANZST.D80 X D93 L=17 INT. FUER NABE | ENTRETOISE D80 X D93 L=17 INT POUR MOYEU | DISTANCIADOR D80 X D93 L=17 INT X BUJE | 2 |

| | | | | | | | |
|-----|----------|--|---|---|---|---|----|
| 032 | 17702062 | MOZZO LAV. INT. D80 L=346,5 CON BATT. | INT. MACHINED HUB D80 L=346,5 WITH STOP | NABE GEDREHT INT. D80 L=346,5 MIT BATT. | MOYEU USI. INT. D80 L=346,5 AVEC RABATT. | BUJE LAV. INT. D80 L=346,5 CON BAT. | 1 |
| 033 | 96682833 | VITE TE M16X 55 X 1.5 10.9 NERA U5738 | HEX HEAD SCREW M16X 55X1.5 10.9 BLACK U5 | SCHRAUBE TE M16X 55X1.5 10.9 SCHW. U5738 | VIS TH M16X 55X1.5 10.9 NOIRE U5738 | TORNILLO TH M16X 55X1.5 10.9 NEGRO U5738 | 20 |
| 035 | 97494831 | RONDELLA DIN 127B ELSP- 8,2X14,8X2 Z | WASHER ELSP ASA B- 27 - 08,2X14,8X2 ZN | SCHEIBE ELSP ASA B- 27 - 08,2X14,8X2 ZN | RONDELLE ELS ASA B- 27 - 08,2X14,8X2 ZN | ARANDELA ELSP ASA B-27- 8,2X14,8X2 ZN | 12 |
| 036 | 17702063 | MOZZO LAV. INT. D80 L=346,5 SENZA BATT. | INT. MACHINED HUB D80 L=346,5 WITHOUT ST | NABE GEDREHT INT. D80 L=346,5 OHNE BATT. | MOYEU USI. INT. D80 L=346,5 SANS RABATT. | BUJE LAV. INT. D80 L=346,5 SIN BAT. | 1 |
| 038 | 18602111 | SUPPORTO BASSO LAVORATO X T406 OPT 228 | HAMMER SUPPORT SUPERSOIL EXTERNAL | SCHLAEGELHALTER SUPERSOIL EXTERN | SUPPORT MARTEAU SUPERSOIL EXTERNE | SOPORTE MARTILLO SUPERSOIL EXTERNO | 6 |



| Pos. | Code | Descrizione | Description | Beschreibung | Description | Descripción | Quantity |
|------|----------|--|--|---|--|--|----------|
| 003 | 97036611 | INGRASS DIRITTO UNI 7663 AM 6X1(5-8CH7 | GREASE NIPPLE UNI 7663 AM 6-5.8 | SCHMIERNIPPEL UNI 7663 AM 6X1 (5-8) | GRAISSEUR UNI 7663 AM 6-5.8 | LUBRICADOR UNI 7663 AM 6X1 (5-8CH7 | 2 |
| 033 | 18703055 | BRACCIO X SYS OSCILLANTE MECC MOD 10 | BOOM X MECH SWINGING SYS MOD 10 | ARM FUER SCHWINGSYSTEM MECH. MOD 10 | BRAS GAUCHE SYS OSCILLANT MEC MOD 10 | BRAZO X SYS OSCILANTE MEC. MOD 10 | 1 |
| 034 | 17203026 | BRACCIO INTERNO MOD 10 | INTERNAL BOOM MOD 10 | ARM INTERN MOD 10 | BRAS INTERNE MOD 10 | BRAZO INTERNO MOD 10 | 1 |
| 035 | 17703071 | INTERFACCIA DI MONTAGGIO MOD 09 | MOUNTING INTERFACE MOD 09 | SCHNITTSTELLE MONTAGE MOD 09 | INTERFACE DE MONTAGE MOD 09 | INTERFAZ DE MONTAJE MOD 09 | 1 |
| 036 | 18703062 | PERNO CON GOCCIA D40X209 INT=45 M12 | PIN WITH DRIP D40X209 INT=45 M12 | BOLZEN M.PLATTE D40X209 INT=45 M12 | PIVOT AVEC GOUTTE D40X209 INT=45 M12 | PERNO DE GOTA D40X209 INT=45 M12 | 1 |
| 037 | 17703076 | ROTULA D.50 H.51 II CAT ART.1504 AMA | BALL JOINT D.50 H.51 II CAT ART.1504 AMA | KUGELGELENK D.50 H.51 2.KAT.ART.1504 AMA | ROTULE D.50 H.51 II CAT ART.1504 AMA | RÓTULA D.50 H.51 II CAT ART.1504 AMA | 1 |
| 038 | 18701149 | BOCCOLA BRONZO D40,5 X D50 L=40 LAVOR. | MACHINED BRONZE BUSHING D40,5XD50 L=40 | BRONZEBUCHSE D40,5XD50 L=40 BEARBEITET | BAGUE BRONZE D40,5XD50 L=40 USIN. | CASQUILLO BRONCE D40,5XD50 L=40 ELABOR. | 2 |
| 039 | 14412002 | PERNO CON GOCCIA D25X 95 INT=28 M8 | PIN WITH PLATE D 25X 95 INT=28 | BOLZEN M.PLATTE D 25X 95 INT=28 | GOUJON A.PLAQUE D 25X 95 INT=28 | PERNO CON PLACA D 25X 95 INT=28 | 1 |
| 043 | 96605721 | VITE TE M 8X 30 UNI 5739 8.8 ZN | BOLT TE M 08X030 UNI 5739 8.8 ZN | SCHRAUBE TE M 8 X 30 UNI 5739 8.8 ZN | VIS TE M 08X030 UNI 5739 8.8 ZN | TORNILLO TE M 8X 30 UNI 5739 8.8 ZN | 1 |
| 044 | 97494831 | RONDELLA DIN 127B ELSP- 8,2X14,8X2 Z | WASHER ELSP ASA B- 27 - 08,2X14,8X2 ZN | SCHEIBE ELSP ASA B- 27 - 08,2X14,8X2 ZN | RONDELLE ELS ASA B- 27 - 08,2X14,8X2 ZN | ARANDELA ELSP ASA B-27- 8,2X14,8X2 ZN | 1 |
| 045 | 97094911 | ROSETTA PIANA 08,4X16X1,6 M 8 ZN UNI6592 | SMOOTH WASHER UNI 6592 - 08,4X16X1,6 ZN | GLATTE SCHEIBE UNI 6592 - 8,4X16X1,6 ZN | RONDELL.LISSE UNI 6592 - 08,4X16X1,6 ZN | ARANDELA PLANA UNI 6592- 08,4X16X1,6 ZN | 1 |
| 046 | 96607821 | VITE TE M10X 35 UNI 5739 8.8 ZN | BOLT TE M 10X035 UNI 5739 8.8 ZN | SCHRAUBE TE M 10 X 35 UNI 5739 8.8 ZN | VIS TE M 10X035 UNI 5739 8.8 ZN | TORNILLO TE M10X 35 UNI 5739 8.8 ZN | 1 |
| 047 | 97494931 | RONDELLA DIN 127B ELSP- 10,2X18,1X2,2 Z | WASHER ELSP ASA B- 27 - 10,2X18,1X2,2 ZN | SCHEIBE ELSP ASA B- 27 - 10,2X18,1X2,2 ZN | RONDELLE ELS ASA B- 27 - 10,2X18,1X2,2 Z | ARANDELA ELSP ASA B-27- 10,2X18,1X2,2 ZN | 1 |
| 048 | 97095111 | ROSETTA PIANA 10,5X20X2,0 M10 ZN UNI6592 | SMOOTH WASHER UNI 6592 - 10,5X21X2,0 ZN | GLATTE SCHEIBE UNI 6592 - 10,5X21X2 ZN | RONDELL.LISSE UNI 6592 - 10,5X21X2,0 ZN | ARANDELA PLANA UNI 6592- 10,5X21X2,0 ZN | 1 |
| 049 | 96622421 | VITE TE M24X100 UNI 5737 8.8 ZN | HEX HEAD SCREW M24X100 UNI 5737 8.8 GV | SCHRAUBE TE M24X100 UNI 5737 8.8 ZN | VIS TH M24X100 UNI 5737 8.8 ZN | TORNILLO TH M24X100 UNI 5737 8.8 GALV. | 2 |
| 050 | 97096211 | ROSETTA PIANA 25,0X44X4,0 M24 ZN UNI6592 | SMOOTH WASHER UNI 6592 - 25X44X4,0 ZN | GLATTE SCHEIBE UNI 6592 - 25X44X4 ZN | RONDELL.LISSE UNI 6592 - 25X44X4,0 ZN | ARANDELA PLANA UNI 6592- 25,0X44X4,0 ZN | 4 |
| 051 | 97495631 | RONDELLA DIN 127B ELSP- 24,5X40X5 Z | WASHER ELSP ASA B- 27 - 24,5X40X5 ZN | SCHEIBE ELSP ASA B- 27 - 24,5X40X5 ZN | RONDELLE ELS ASA B- 27 - 24,5X40X5 ZN | ARANDELA ELSP ASA B-27- 24,5X40X5 ZN | 4 |
| 052 | 97156421 | DADO AUTOBLOC.ALTO M24 -6S UNI747 | HIGH SELF-LOCKING NUT M24-6S UNI747 | SELBSTFIX.MUTTER, HOCH M24-6S UNI747 | ECROU AUTOBLOQ.ALTO M24-6S UNI747 | TUERCA AUTOBLOQ.ALTA M24-6S UNI747 | 2 |

**seppi m.
03-0117**



| Pos. | Code | Descrizione | Description | Beschreibung | Description | Descripción | Quantity |
|------|----------|--|---|--|--|---|----------|
| 001 | 17203050 | RIDUTTORE T-332A R=1,9:1 R.L. LAVORATO | | | | | 1 |
| 002 | 17203010 | PROLUNGA T332 SUPERSOIL | EXTENSION T332 SUPERSOIL | VERLAENGERUNG T332 SUPERSOIL | RALLONGE T332 SUPERSOIL | PROLONGACIÓN T332 SUPERSOIL | 2 |
| 003 | 17203005 | CINGHIA POLYCHAIN GT2/14GT -2450-125 | BELT POLYCHAIN GT2/14GT - 2450-125 | KEILRIEMEN POLYCHAIN GT2/14GT -2450-125 | COURROIE POLYCHAIN GT2/14GT -2450-125 | CORREA POLYCHAIN GT2/14GT -2450-125 | 2 |
| 004 | 17203007 | PULEGGIA DENT D250 56- 14M-125 X PC D.95 | TOOTHED PULLEY D250 56- 14M-125XPC D.95 | ZAHNRIEMENSCH.D250 56- 14M-125XPC D.95 | POULIE DENT D250 56-14M- 125 POUR PC D.95 | POLEA DENT D250 56-14M- 125XPC D.95 | 2 |
| 005 | 17203006 | PULEGGIA DENT D250 56- 14M-125 X PC D.115 | TOOTHED PULLEY D250 56- 14M-125XPC D.115 | ZAHNRIEMENSCH.D250 56- 14M-125XPC D.115 | POULIE DENT D250 56-14M- 125 P.PC D.115 | POLEA DENT D250 56-14M- 125XPC D.115 | 2 |
| 006 | 18603025 | CALETTATORE VIBLOCK VK 112 75 X 115 | TAPER LOCK VIBLOCK VK 112 75 X115 | SPANNBUECHSE VIBLOCK VK 112 75 X115 | MOYEU VIBLOCK VK 112 75 X115 | JUNTA VIBLOCK VK 112 75 X115 | 2 |
| 007 | 19303012 | CALETTATORE VIBLOCK VK 112 65 X 95 | TAPER LOCK VIBLOCK VK 112 65 X 95 | SPANNBUECHSE VIBLOCK VK 112 65 X 95 | MOYEU VIBLOCK VK 112 65 X 95 | JUNTA VIBLOCK VK 112 65 X 95 | 2 |
| 008 | 20003043 | ALBERO PROL CPL MAXIFORST MECC | CPL SHAFT F.EXT.SHAFT DIS 20003036 | KPL WELLE F.VERL.DIS 20003036 MAXIFORST | ARBRE CPL P.PROL.DIS 20003036 | EJE CPL P.PROL. MAXIFORST | 2 |
| 009 | 18903126 | ANELLO DI TENUTA 85 X140 X12 | OIL SEAL 85 X 140 X 12 | DICHTUNGSRING 85 X 140 X 12 | BAGUE ETACH. 85 X 140 X 12 | RETEN 85 X 140 X 12 | 4 |
| 010 | 96876676 | ANELLO EL. PER FORI 140X4 | EL.RING FOR FORI 140X4 | SEEGERRING F. LOECHER 140X4 | BAGUE ARRET P.TROUS 140X4 | RETEN EL.P.ORIF.140X4 | 2 |
| 011 | 75000199 | CUSCINETTO 22313 E 65X140X48 OR.RULLI | support 22313 65X140X48 OR.RULLI | VERST. ROLLENLAGER 22313 E 65X140X48 | ROULEMENT 22313 65X140X48 OR.RULLI | RODAMIENTO 22313 E 65X140X48 RODILLOS | 4 |
| 012 | 20003042 | DISTANZIALE D65 X D80 L=181 | SPACER INT. MAXIFORST MOD.04 | DISTANZBUECHSE 65X76X181 | ENTRETOISE INT. MAXIFORST MOD.04 | RETEN 75 X 65 X 181 | 2 |
| 013 | 97284880 | ANELLO O-RING OR 145/3256 64,77X2,62 | OIL SEAL O-RING OR 145/3256 64,77X2,62 | O-DICHTUNGSRING 145/3256 64,77 X 2,62 | BAGUE ETACH. O-RING OR 145/3256 64,77X2, | RETEN 145/3256 64,77X2 | 2 |
| 014 | 20003041 | DISTANZIALE D65 X D90 L=28 PROL MAXI F. | SPACER INT. MAXIFORST MOD.04 | DISTANZBUECHSE VERLAENG. MAXIFORST '04 | ENTRETOISE INT. MAXIFORST MOD.04 | RETEN PARA PROL. MAXIFORST MOD.04 | 2 |
| 015 | 48030246 | TAPPO ESAG. EST.13 3/8 NPT (8.6.5.00006) | CAP EXT.HEX. 3/8 NPT (8.6.5.00006) | PFROPFEN EXT.13 3/8 NPT (8.6.5.00006) | BOUCHON HEX.EXT. 3/8 NPT (8.6.5.00006) | TAPON EXAGONO. EST.13 3/8 NPT (86500006) | 6 |
| 016 | 97902002 | DADO M20 X 1,5 BASSO H=9 UNI5589 ZN | LOW NUT M20 X 1,5 H=9 UNI5589 ZN | MUTT.M20 X 1,5 NIEDRIG H=9 UNI5589 ZN | ECROU M20 X 1,5 BAS H=9 UNI5589 ZN | TUERCA M20 X 1,5 BAJA H=9 UNI5589 GALV. | 6 |
| 017 | 96617222 | VITE TE M20X 50 X 1,5 UNI 5740 8.8 ZN | HEX HEAD SCREW M20X 50X1,5 UNI 5740 8.8 | SCHRAUBE TE M20X 50X1,5 UNI 5740 8.8 ZN | VIS TH M20X 50X1,5 UNI 5740 8.8 ZN | TORN.CH M20X 50X1,5 UNI 5740 8.8 GALV. | 6 |
| 018 | 97093811 | ROSETTA PIANA CARPENT. M18 ZN UNI5714 | SMOOTH WASHER CARPENT.X M18 UNI 5714 ZN | GLATTE SCHEIBE F. M18 UNI 5714 ZN | RONDELL. LISSE CARPENT.X M18 UNI 5714 ZN | ARANDELA PLANA CARPENT.X M18 UNI 5714 ZN | 8 |
| 019 | 97495331 | RONDELLA DIN 127B ELSP- 18,2X29,4X3,5 Z | WASHER ELSP ASA B- 27 - 18,2X29,4X3,5 ZN | SCHEIBE ELSP ASA B-27 - 18,2X29,4X3,5 ZN | RONDELLE ELS ASA B- 27 - 18,2X29,4X3,5 Z | ARANDELA ELSP ASA B-27- 18,2X29,4X3,5 ZN | 10 |
| 020 | 97972921 | DADO AUTOBLOC. BASSO M18-6S UNI7474 | LOW.SELFBLOCK.NUT M 18- 6S UNI7474 | SELBSTSICHER.MUTTER M18 -6S UNI7474 NIED. | ECROU AUTOSERR.M 18-6S UNI7474 | TUERCA AUTO BLOQ. BAJA M 18-6S UNI7474 | 10 |
| 022 | 96603311 | VITE TE M18X 70 UNI 5737 8.8 ZN | BOLT TE M18X 70 UNI 5737 8.8 ZN | SCHRAUBE TE M 18 X 70 UNI 5737 8.8 ZN | VIS TE M18X 70 UNI 5737 8.8 ZN | TORNILLO TE M18X 70 UNI 5737 8.8 ZN | 8 |
| 024 | 96602921 | VITE TE M18X 55 UNI 5739 8.8 ZN | BOLT | SCHRAUBE TE M 18 X 55 UNI 5739 8.8 ZN | VIS | TORNILLO TE M18X 55 UNI 5739 8.8 ZN | 2 |
| 025 | 18903080 | TIRANTE AD OCCHIO M20X130 UNI6058 ZN | TIE ROD M 20X100 UNI 6058 ZN | AUGENSCHRAUBE M 20X100 UNI 6058 ZN | TIRANT M 20X100 UNI 6058 ZN | TIRANTE A OJO M20X130 UNI6058 ZN | 2 |
| 028 | 97096011 | ROSETTA PIANA 21,0X37X3,0 M20 ZN UNI6592 | SMOOTH WASHER UNI 6592 - 20X37X3,0 ZN | GLATTE SCHEIBE UNI 6592 - 20X37X3 ZN | RONDELL.LISSE UNI 6592 - 20X37X3,0 ZN | ARANDELA PLANA UNI 6592- 20,0X37X3,0 ZN | 2 |
| 029 | 97495431 | RONDELLA DIN 127B ELSP- 20,2X33,6X4 Z | WASHER ELSP ASA B- 27 - 20,2X33,6X4 ZN | SCHEIBE ELSP ASA B- 27 - 20,2X33,6X4 ZN | RONDELLE ELS ASA B- 27 - 20,2X33,6X4 ZN | ARANDELA ELSP ASA B-27- 20,2X33,6X4 ZN | 2 |
| 030 | 97972821 | DADO AUTOBLOC. BASSO M20-6S UNI7474 | LOW.SELFBLOCK.NUT M 20- 6S UNI7474 | SELBSTSICHER.MUTTER M20 -6S UNI7474 NIED. | ECROU AUTOSERR.M 20-6S UNI7474 | TUERCA AUTO BLOQ. BAJA M 20-6S UNI7474 | 2 |
| 031 | 97036711 | INGRAS. DIRITTO UNI 7663 A M8X1,25 | GREASE NIPPLE UNI 7663 AM M8X1,25 | SCHMIERNIPPEL UNI 7663 AM M8X1,25 | GRAISSEUR UNI 7663 AM M8X1,25 | LUBRICADOR UNI 7663 AM 8X1,25 | 4 |
| 032 | 18703031 | FLANGIA ESTERNA X FISSAGGIO MOLT 332A | EXTERNAL FLANGE X FIXING GEARBOX 332A | AUSSENFLANSCH FUER FIX. GETRIEBE 332A | BRIDE EXTERIEURE POUR FIXATION MULT 332A | BRIDA EXTERNA X FIJACIÓN MULT 332A | 2 |
| 033 | 97495231 | RONDELLA DIN 127B ELSP- 16,2X27,4X3,5 Z | WASHER ELSP ASA B- 27 - 16,2X27,4X3,5 ZN | SCHEIBE ELSP ASA B-27 - 16,2X27,4X3,5 ZN | RONDELLE ELS ASA B- 27 - 16,2X27,4X3,5 Z | ARANDELA ELSP ASA B-27- 16,2X27,4X3,5 ZN | 16 |

| | | | | | | | |
|-----|----------|--|---|---|---|---|----|
| 034 | 96634523 | VITE TE M16X 40 UNI 5739 10.9 ZN | BOLT TE M16X 40 UNI 5739 10.9 ZN | SCHRAUBE TE M 16 X 40 UNI 5739 10.9 ZN | VIS TE M16X 40 UNI 5739 10.9 ZN | TORNILLO TE M16X 40 UNI 5739 10.9 ZN | 16 |
| 035 | 20003068 | BOCCOLA AUTOLUBR. FINBW 28590-F325 | BUSHING | SELBSTSCHM.GLEITLAGER FINBW 28590-F325 | DOUILLE | CASQUILLO AUTOLUBRICANTE 30,5X40,5 L=33 | 2 |
| 036 | 20003140 | COLLARE X ROTAZ. MOLT 301B/332A MOD11 | COLLARXGEARBOX ROTATION 301B/332A MOD11 | RING F.ROTATION GETRIEBE 301B/332A MOD11 | COLLIER POUR ROTAT.MULT 301B/332A MOD11 | COLLARXROTAC.MULT 301B/332A MOD11 | 2 |
| 037 | 18703073 | SUPP MOLT 332A X OPT 138 | GEARBOX SUPP 332A X OPT 138 | HALTERUNG GETRIEBE 332A FUER OPT 138 | SUPP MULT 332A POUR OPT 138 | SOP. MULT 332A X OPT 138 | 2 |
| 038 | 17203053 | CARDANO PROLUNGA CPL 225 | | | | | 2 |
| 041 | 18910067 | CONTROCUFFIA LAVORATA X SUPERFORST | MACHINED SHAFT CONE X SUPERFORST | GEDREHTE SCHUTZKAPPE FUER SUPERFORST | CAPOT DE PROT.USINE P.SUPERFORST | CAPERUZA LABRADA X SUPERFORST | 1 |
| 042 | 97494931 | RONDELLA DIN 127B ELSP- 10,2X18,1X2,2 Z | WASHER ELSP ASA B- 27 - 10,2X18,1X2,2 ZN | SCHEIBE ELSP ASA B-27 - 10,2X18,1X2,2 ZN | RONDELLE ELS ASA B- 27 - 10,2X18,1X2,2 Z | ARANDELA ELSP ASA B-27- 10,2X18,1X2,2 ZN | 4 |
| 043 | 96607721 | VITE TE M10X 30 UNI 5739 8.8 ZN | BOLT TE M 10X030 UNI 5739 8.8 ZN | SCHRAUBE TE M 10 X 30 UNI 5739 8.8 ZN | VIS TE M 10X030 UNI 5739 8.8 ZN | TORNILLO TE M10X 30 UNI 5739 8.8 ZN | 4 |
| 044 | 18703018 | GRUPPO ROTAZIONE X MOLT 332A X OPT 138 | ROTATION UNITXGEARBOX 332AXOPT138 | GR.ROTATION F.GETRIEBE 332A F.OPT138 | GROUPE ROTATION P.MULT 332A P.OPT138 | GRUPO ROTACIONXMULT 332AXOPT138 | 1 |
| 045 | 17203044 | PROL GM T332 SUPERSOIL SX | LH EXTENSION GM T332 SUPERSOIL | VERLAENGERUNG GM T332 SUPERSOIL LINKS | RALL GM T332 SUPERSOIL GAUCHE | PROL GM T332 SUPERSOIL IZQ | 1 |
| 046 | 17203045 | PROL GM T332 SUPERSOIL DX | DX EXTENSION GM T332 SUPERSOIL | VERLAENG GM T332 SUPERSOIL RE | RALL GM T332 SUPERSOIL DROITE | ALARG GM T332 SUPERSOIL DER | 1 |
| 047 | 96694177 | VITE TCEI M12X 45 UNI 5931 12.9 NERA | SOCKET HEAD SCREW M12X 45 UNI 5931 12.9 | SCHRAUBE CEI M12X 45 UNI 5931 12.9 SCHW. | VIS CHC M12X 45 UNI 5931 12.9 NOIRE | TORN.ALLEN M12X 45 UNI 5931 12.9 NEGRO | 16 |

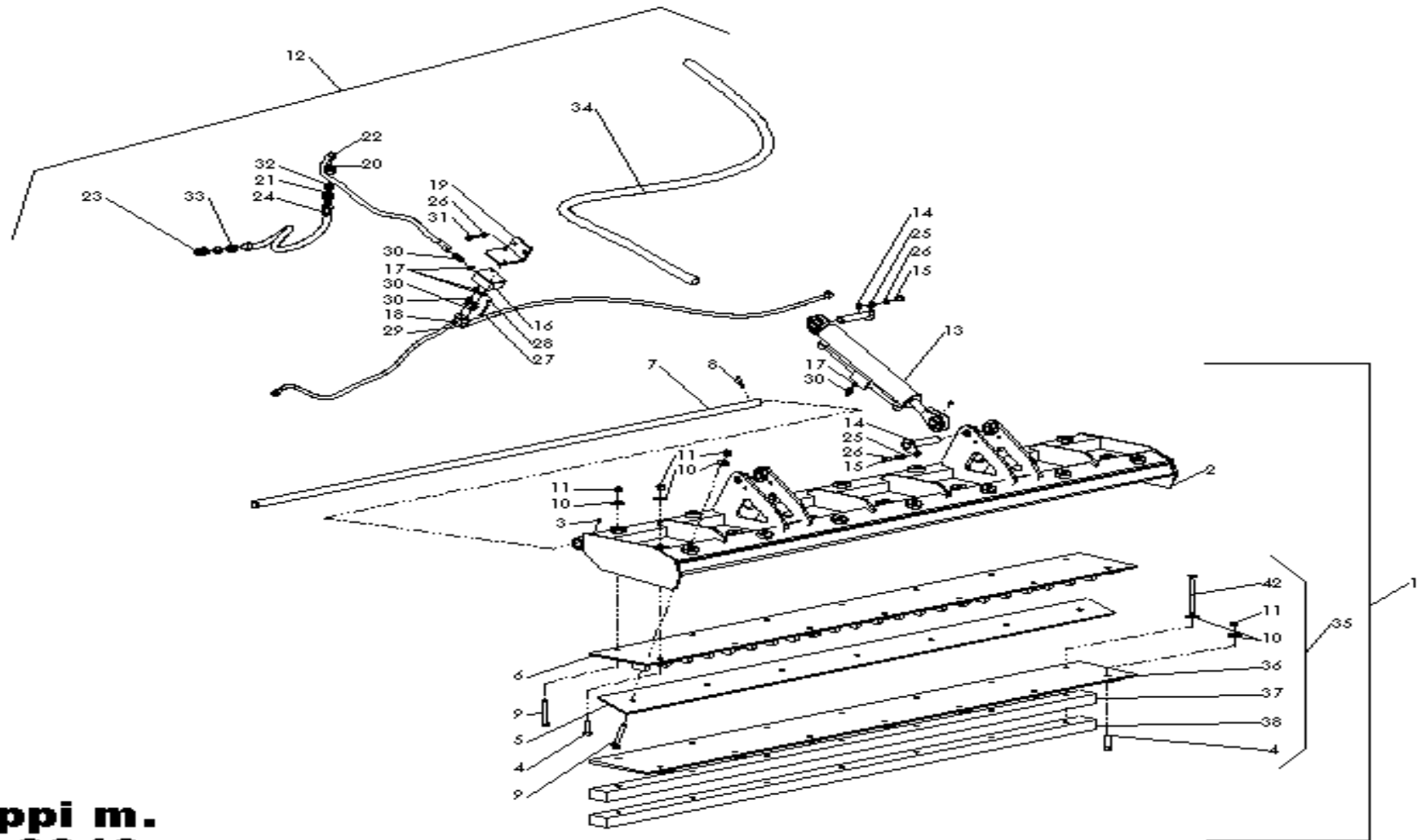
Hutch

cofano

Haube

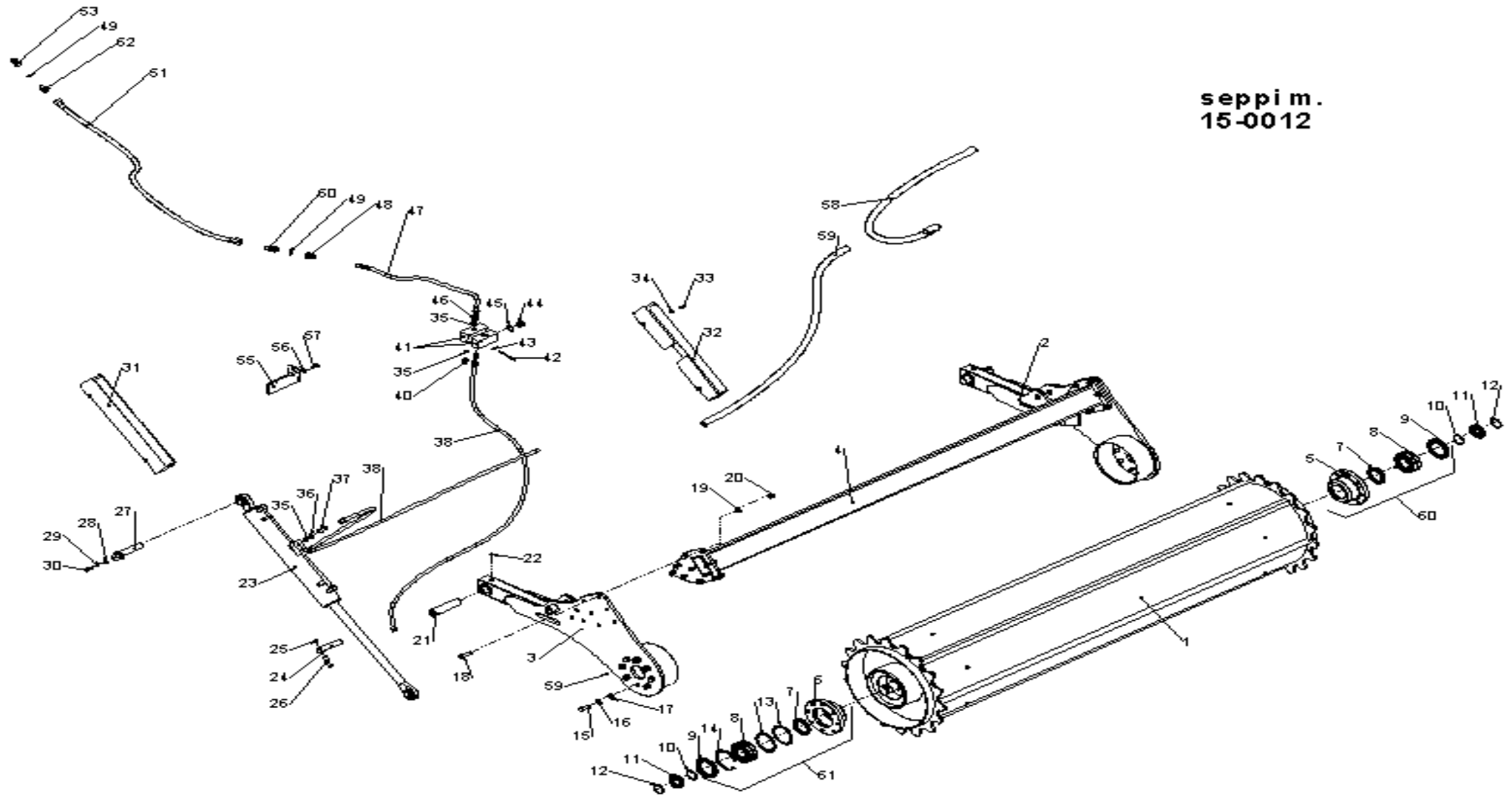
Capot

Capó



seppi m.
08-0010

| Pos. | Code | Descrizione | Description | Beschreibung | Description | Descripción | Quantity |
|------|----------|--|--|--|---|--|----------|
| 001 | 17208004 | GR.COFANO SUPERSOIL L=250 | HOOD UNIT SUPERSOIL L=250 | GR. HAUBE SUPERSOIL L=250 | GR.CAPOT SUPERSOIL L=250 | GR.CAPÓ SUPERSOIL L=250 | 1 |
| 002 | 17208006 | COFANO CPL SUPERSOIL L=250 | HOOD CPL SUPERSOIL L=250 | KPL. HAUBE SUPERSOIL L=250 | CAPOT CPL SUPERSOIL L=250 | CAPÓ CPL SUPERSOIL L=250 | 1 |
| 003 | 97036611 | INGRASS DIRITTO UNI 7663 AM 6X1(5-8CH7 | GREASE NIPPLE UNI 7663 AM 6-5.8 | SCHMIERNIPPEL UNI 7663 AM 6X1 (5-8) | GRAISSEUR UNI 7663 AM 6-5.8 | LUBRICADOR UNI 7663 AM 6X1 (5-8CH7 | 10 |
| 005 | 17208017 | CONTROPIASTRA INF X COFANO 250 CPL | ANVIL FOR HOOD 250 | GEGENPLATTE UNT. FUER HAUBE 250 KPL | CONTRE-PLAQUE INF POUR CAPOT 250 CPL | CONTRA PLANCHA INF X CAPÓ 250 CPL | 1 |
| 006 | 17208021 | CONTROPIASTRA SUP X COFANO 250 CPL | HOOD TOP BACKPLATE 250 CPL | GEGENPLATTE OBEN FUER HAUBE 250 KPL | CONTRE-PLAQUE SUP POUR CAPOT 250 CPL | CONTRA PLANCHA SUP X CAPÓ 250 CPL | 1 |
| 007 | 17208026 | ASTA CPL CERNIERE COFANO 250 | HOOD HINGE ROD CPL 250 | KPL STANGE F. HAUBE 250 | TIGE CPL CHARNIÈRES CAPOT 250 | VARILLA CPL BISAGRAS DE CAPÓ 250 | 1 |
| 008 | 97259770 | SPINA ELASTICA 08X45 | ROLL PIN 08X45 | SPANNSTIFT 08 X 45 | GOUJON ELAST. 08X45 | PERNO ELASTICO 08X45 | 1 |
| 009 | 96621627 | VITE TE M14X100 UNI 5739 8.8 NERA | HEX HEAD SCREW M14X100 UNI 5739 8.8 BLAC | SCHRAUBE TE M14X100 UNI 5739 8.8 SCHW. | VIS TH M14X100 UNI 5739 8.8 NOIRE | TORNILLO TH M14X100 UNI 5739 8.8 NEGRO | 16 |
| 012 | 18712003 | GR.IMP.IDR. X COFANO MAXISOIL | HYDR.SYS.UNIT X HOOD MAXISOIL | GR. HYDRAULIKANLAGE FUER HAUBE MAXISOIL | GR.INST.HYDR. POUR CAPOT MAXISOIL | GR.INST.HIDR. X CAPÓ MAXISOIL | 1 |
| 013 | 18012001 | CILINDRO HYD 60X30X345 (595-940)+V | HYDR.CYL. 60X30X345 (595-940) + VAL | HYDR. ZYL. 60 X 30 X 345 + STOPVENTIL | CYLINDRE HYD 60X30X345 (595-940) + VAL | CILINDRO HIDR. 60X30X345 (595-940) + VAL | 2 |
| 014 | 19004038 | PERNO CON GOCCIA D25X125 INT=45 M10 | PIN WITH PLATE D 25X125 INT=45 | BOLZEN M.PLATTE D 25X125 INT=45 | GOUJON A.PLAQUE D 25X125 INT=45 | PERNO CON PLACA D 25X125 INT=45 | 4 |
| 015 | 96607631 | VITE TE M10X 25 UNI 5739 10.9 ZN | HEX HEAD SCREW M10X 25 UNI 5739 10.9 GV | SCHRAUBE TE M10X 25 UNI 5739 10.9 ZN | VIS TH M10X 25 UNI 5739 10.9 ZN | TORNILLO TE M10X 25 UNI 5739 10.9 GALV | 4 |
| 016 | 17912004 | BLOCCO ALLUM.4 VIE 1/4 40X70 | ALUM.BLOC 4 VIE 1/4" 40X70 | ALLUM. BLOCK 4-WEGE 1/4" 40X70 | BLOC D'ALUM. 4 VIE 1/4" 40X70 | BLOQUE ALUM. 4 VIE 1/4" 40X70 | 1 |
| 017 | 96508160 | GUARNIZ.TIPO BONDED AUTOCENT. 1/4" | COPPER GASKET 14 X 18 (1/4") | KUPFERDICHTUNG 14 X 18 (1/4") | JOINT EN CUIVRE 14 X 18 (1/4") | JUNTA SECC. RECT. A14 X 18 (1/4") | 10 |
| 018 | 20012015 | TUBO IDR R2AT 1/4" 1000-FD-F90 | HOSE SAE R2ATDN 1/4"X 1000 FD -F90ç | SCHLAUCH SAE R2ATDN 1/4"X 1000 FD -F90ç | TUBE SAE R2ATDN 1/4"X 1000 FD -F90ç | TUBO SAE R2ATDN 1/4"X 1000 FD -F90ç | 2 |
| 019 | 18712002 | SOSTEGNO BLOCCO A 4 VIE X COFANO | 4-WAY BLOCK SUPPORT X HOOD | HALTERUNG 4-WEGE-BLOCK FUER HAUBE | SUPPORT BLOCAGE A 4 VOIES POUR CAPOT | SOPORTE DE BLOQUE DE 4 VÍAS X CAPÓ | 1 |
| 020 | 18712006 | RACCORDO RIDUZ. F1/2" - M1/4" L.ES=25 | REDUCTION FITTING F1/2" - M1/4" L.ES=25 | ANSCHLUSS REDUZ. F1/2" - M1/4" L.ES=25 | RACCORD REDUCT. F1/2" - M1/4" L.ES=25 | EMPALME REDUC. H1/2" - M1/4" L.ES=25 | 2 |
| 021 | 48112032 | RACCORDO PASSAPARETE M1/2"-M1/2" | PANEL FEED-THROUGH FITTING M1/2"-M1/2" | ANSCHLUSS SCHOTTVERSCHRAUBUNG M1/2"-M1/2 | RACCORD PASSE-PAROI M1/2"-M1/2" | RACOR PASAMUROS M1/2"-M1/2" | 2 |
| 022 | 17612010 | TUBO IDR R2AT 1/4" 700-FD-F90 | HYDR. TUBE SAE R2ATDN 1/4"X 700 FD-F9 | SCHLAUCH SAE R2ATDN 1/4"X 700 FD-F9 | TUYAU HYDR SAE R2ATDN 1/4"X 700 FD-F9 | TUBO HIDR SAE R2ATDN 1/4"X 700 FD-F9 | 2 |
| 023 | 19412004 | INNESTO RAPIDO TIPO "FASTER" 1/2" M | "FASTER" CLUTCH 1/2"M | SCHNELLKUPPLUNG "FASTER" 1/2"M | EMBRAYAGE RAPID "FASTER" 1/2"M | EMBRAGUE RAPIDO "FASTER" 1/2" MACHO | 2 |
| 024 | 10412024 | TUBO IDR R2AT 1/2" 1550-FD-FD | HYDR. TUBE SAE R2ATDN 1/2"X 1550 FD-FD | SCHLAUCH SAE R2ATDN 1/2"X 1550 FD-FD | TUYAU HYDR SAE R2ATDN 1/2"X 1550 FD-FD | TUBO HIDR SAE R2ATDN 1/2"X 1550 FD-FD | 2 |
| 025 | 97095111 | ROSETTA PIANA 10,5X20X2,0 M10 ZN UNI6592 | SMOOTH WASHER UNI 6592 - 10,5X21X2,0 ZN | GLATTE SCHEIBE UNI 6592 - 10,5X21X2 ZN | RONDELL.LISSE UNI 6592 - 10,5X21X2,0 ZN | ARANDELA PLANA UNI 6592- 10,5X21X2,0 ZN | 4 |
| 026 | 97494931 | RONDELLA DIN 127B ELSP- 8,2X18,1X2,2 Z | WASHER ELSP ASA B- 27 - 10,2X18,1X2,2 ZN | SCHEIBE ELSP ASA B-27 - 10,2X18,1X2,2 ZN | RONDELLE ELS ASA B- 27 - 10,2X18,1X2,2 ZN | ARANDELA ELSP ASA B-27- 10,2X18,1X2,2 ZN | 6 |
| 027 | 96691121 | VITE TCEI M 8X 50 UNI 5931 8.8 ZN | BOLT TCEI M 08X050 UNI 5931 8.8 ZN | SCHRAUBE TCEI M 08X050 UNI 5931 8.8 ZN | VIS TCEI M 08X050 UNI 5931 8.8 ZN | TORNILLO TCEI M 8X 50 UNI 5931 8.8 ZN | 2 |
| 028 | 97494831 | RONDELLA DIN 127B ELSP- 8,2X14,8X2 Z | WASHER ELSP ASA B- 27 - 08,2X14,8X2 ZN | SCHEIBE ELSP ASA B- 27 - 08,2X14,8X2 ZN | RONDELLE ELS ASA B- 27 - 08,2X14,8X2 ZN | ARANDELA ELSP ASA B-27- 8,2X14,8X2 ZN | 2 |
| 029 | 20012018 | TUBO IDR R2AT 1/4" 2200-FD-F90 | HOSE SAE R2ATDN 1/4"X 2200 FD -F90ç | SCHLAUCH SAE R2ATDN 1/4"X 2200 FD -F90ç | TUBE SAE R2ATDN 1/4"X 2200 FD -F90ç | TUBO SAE R2ATDN 1/4"X 2200 FD -F90ç | 2 |
| 030 | 48120022 | NIPPLLO M-M 1/4" | COUPLING M 1/4 | NIPPL M-M 1/4" | JOINT M 1/4 | EMPALME M 1/4 | 10 |
| 031 | 96607721 | VITE TE M10X 30 UNI 5739 8.8 ZN | BOLT TE M 10X030 UNI 5739 8.8 ZN | SCHRAUBE TE M 10 X 30 UNI 5739 8.8 ZN | VIS TE M 10X030 UNI 5739 8.8 ZN | TORNILLO TE M10X 30 UNI 5739 8.8 ZN | 2 |
| 032 | 96508460 | GUARNIZ.TIPO BONDED AUTOCENT. 1/2" | COPPER GASKET 21,5X27 (1/2") | KUPFERDICHTUNG 21,5 X 27 (1/2") | JOINT EN CUIVRE 21,5X27 (1/2") | JUNTA SECC. RECT. A21,5X 27 (1/2") | 4 |



| Pos. | Code | Descrizione | Description | Beschreibung | Description | Descripción | Quantity |
|------|----------|--|--|--|--|--|----------|
| 002 | 17215022 | BRACCIO DX X RULLO COMPATT 11 | RH BOOM X COMPACTING ROLLER 11 | ARM RECHTS FUER WALZE VERDICHTER11 | BRAS DROIT POUR ROULEAU COMPACT. 11 | BRAZO DER X RODILLO COMPACT. 11 | 1 |
| 003 | 17215021 | BRACCIO SX X RULLO COMPATT 11 | LH BOOM X COMPACTING ROLLER 11 | ARM LINKS FUER WALZE VERDICHTER 11 | BRAS GAUCHE POUR ROULEAU COMPACT. 11 | BRAZO IZQ X RODILLO COMPACT. 11 | 1 |
| 004 | 17215039 | TRAVERSA COLLEGAMENTO RULLO 250 CPL | ROLLER CONNECTION BEAM 250 CPL | KPL. QUERROHR VERBINDUNG WALZE 250 | TRAVERSE RACCORDEMENT ROULEAU 250 CPL | TRAVESANO DE CONEXIÓN DE RODILLO 250 CPL | 1 |
| 005 | 19702130 | SUPP.CUSC.ROTORE SENZA GOLA DIA.120 | SUPP.BEAR.F.ROTOR NO PIPE DIA. 120 | LAGERHALTER F. ROTOR OHNE RILLE DM 120 | SUPP.ROULEM.PROT.SANS TUBE DIA 120 | SOPORTE COJINETE ROTOR SIN BOCA DIA.120 | 1 |
| 006 | 19702054 | SUPP.CUSC.ROTORE CON GOLA DIA.120 | SUPPORT support FOR ROTOR W.PIPE DIA.120 | LAGERHALTER F. ROTOR MIT RILLE DM 120 | SUPPORT ROULEMENT P.ROTOR A.TUBE DIA 120 | SOPORTE COJINETE ROTOR CON BOCA DIA.120 | 1 |
| 007 | 19503016 | ANELLO DI TENUTA 65 X100 X10 | OIL SEAL 65 X100 X10 | DICHTUNGSRING 65 X100 X10 | BAGUE ETACH. 65 X100 X10 | RETEN 65 X100 X10 | 2 |
| 008 | 19702059 | CUSCINETTO 22311 E 55X120X43 OR.RULLI | support 22311 E 55X120X43 OR.RULLI | VERST. ROLLENLAGER 22311 E 55X120X43 | ROULEMENT 22311 E 55X120X43 OR.RULLI | RODAMIENTO 22311 E 55X120X43 RODILLOS | 2 |
| 009 | 19702060 | ANELLO DI TENUTA 80 X120 X13 | OIL SEAL 80 X120 X13 | DICHTUNGSRING 80 X120 X13 | BAGUE ETACH. 80 X120 X13 | RETEN 80 X120 X13 | 2 |
| 013 | 98048316 | ANELLO DI SPALLAMENTO 100 X120 X1 | SPACER 100X120X1 | DISTANZSCHEIBE 100X120X1 | BAGUE D'EPOULEMENT 100X120X1 | RETEN DE APOYO 100X120X1 | 1 |
| 013 | 98047716 | ANELLO DI SPALLAMENTO 100 X120 X2 | SPACER 100 X120 X2 | DISTANZSCHEIBE 100 X 120 X 2 | BAGUE D'EPOULEMENT 100 X120 X2 | RETEN DE APOYO 100 X120 X2 | 1 |
| 014 | 96876276 | ANELLO EL. PER FORI 120X4 | EL.RING F.HOLES 120X4 | SEEGERRING F.LOECHER 120X4 | BAGUE ARRET P.TROUS 120X4 | RETEN EL.P.ORIFIC. 120X4 | 1 |
| 015 | 96614721 | VITE TE M16X 45 UNI 5739 8.8 ZN | BOLT TE M 16X045 UNI 5739 8.8 ZN | SCHRAUBE TE M 16 X 45 UNI 5739 8.8 ZN | VIS TE M 16X045 UNI 5739 8.8 ZN | TORNILLO TE M16X 45 UNI 5739 8.8 ZN | 16 |
| 016 | 97495231 | RONDELLA DIN 127B ELSP-16,2X27,4X3,5 Z | WASHER ELSP ASA B- 27 - 16,2X27,4X3,5 ZN | SCHEIBE ELSP ASA B-27 - 16,2X27,4X3,5 ZN | RONDELLE ELS ASA B- 27 - 16,2X27,4X3,5 Z | ARANDELA ELSP ASA B-27-16,2X27,4X3,5 ZN | 16 |
| 017 | 97095711 | ROSETTA PIANA 17,0X30X3,0 M16 ZN UNI6592 | SMOOTH WASHER UNI 6592 - 16X30X3,0 ZN | GLATTE SCHEIBE UNI 6592 - 16X30X3 ZN | RONDELL.LISSE UNI 6592 - 16X30X3,0 ZN | ARANDELA PLANA UNI 6592-16,0X30X3,0 ZN | 16 |
| 018 | 96611821 | VITE TE M14X 50 UNI 5737 8.8 ZN | BOLT TE M 14X050 UNI 5737 8.8 ZN | SCHRAUBE TE M 14 X 50 UNI 5737 8.8 ZN | VIS TE M 14X050 UNI 5737 8.8 ZN | TORNILLO TE M14X 50 UNI 5737 8.8 ZN | 18 |
| 019 | 97495131 | RONDELLA DIN 127B ELSP-14,2X24,1X3 Z | WASHER ELSP ASA B- 27 - 14,2X24,1X3 ZN | SCHEIBE ELSP ASA B- 27 - 14,2X24,1X3 ZN | RONDELLE ELS ASA B- 27 - 14,2X24,1X3 ZN | ARANDELA ELSP ASA B-27-14,2X24,1X3 ZN | 18 |
| 020 | 97972321 | DADO AUTOBLOC.BASSO M14-6S UNI7474 | LOW.SELFBLOCK.NUT M 14-6S UNI7474 | SELBSTSICHER.MUTTER M14-6S UNI7474 NIED. | ECROU AUTOSERR.M 14-6S UNI7474 | TUERCA AUTO BLOQ. BAJA M 14-6S UNI7474 | 18 |
| 021 | 17115076 | PERNO D40 X 166 CON FORO D11 RETT H6 | PIN D40X166 WITH BORE D11 RECT H6 | BOLZEN D40 F.166 M.BOHRUNG D11 RECHTECKI | PIVOT D40X166 AVEC TROU D11 RECT H6 | PERNO D40X166 CON AGUJERO D11 RECT H6 | 2 |
| 023 | 10515131 | CILINDRO HYD 80X40X500 (840-1340)+V | HYDR. CYL. 80X40X500 + BLOCK. VALVE | HYDRAUL. ZYLINDER 90X40X500 + VENTIL | CYL.HYDR. 80X40X500 +VALV.OVERCENTER | CILINDRO HIDR. 80X40X500 (840-1340) +VAL | 2 |
| 024 | 19009089 | PERNO D30 X 132 CON FORO D11 | PIN D30 X 132 WITH BORE D11 | BOLZEN D30 X 132 MIT BOHRUNG D11 | PIVOT D30 X 132 AVEC TROU D11 | PERNO D30 X 132 CON FORO D11 | 2 |
| 025 | 97971821 | DADO AUTOBLOC.BASSO M10-6S UNI7474 | LOW.SELFBLOCK.NUT M 10-6S UNI7474 | SELBSTSICHER.MUTTER M10-6S UNI7474 NIED. | ECROU AUTOSERR.M 10-6S UNI7474 | TUERCA AUTO BLOQ. BAJA M 10-6S UNI7474 | 2 |
| 026 | 96608321 | VITE TE M10X 60 UNI 5737 8.8 ZN | BOLT TE M 10X060 UNI 5737 8.8 ZN | SCHRAUBE TE M 10 X 60 UNI 5737 8.8 ZN | VIS TE M 10X060 UNI 5737 8.8 ZN | TORNILLO TE M10X 60 UNI 5737 8.8 ZN | 2 |
| 027 | 19004034 | PERNO CON GOCCIA D30X135 INT=45 M10 | PIN WITH PLATE D 30X130 INT=45 | BOLZEN M.PLATTE D 30X130 INT=45 | GOUJON A.PLAQUE D 30X130 INT=45 | PERNO CON PLACA D 30X135 INT=45 | 2 |
| 029 | 97494931 | RONDELLA DIN 127B ELSP-10,2X18,1X2,2 Z | WASHER ELSP ASA B- 27 - 10,2X18,1X2,2 ZN | SCHEIBE ELSP ASA B-27 - 10,2X18,1X2,2 ZN | RONDELLE ELS ASA B- 27 - 10,2X18,1X2,2 Z | ARANDELA ELSP ASA B-27-10,2X18,1X2,2 ZN | 4 |
| 030 | 96607621 | VITE TE M10X 25 UNI 5739 8.8 ZN | BOLT TE M 10X025 UNI 5739 8.8 ZN | SCHRAUBE TE M 10 X 25 UNI 5739 8.8 ZN | VIS TE M 10X025 UNI 5739 8.8 ZN | TORNILLO TE M10X 25 UNI 5739 8.8 ZN | 2 |
| 031 | 17215041 | COPERTURA VALVOLA DI BLOCCO SX | LH BLOCK VALVE COVER | ABDECKUNG SPERRVENTIL LINKS | COUVERTURE SOUPAPE DE BLOCAGE GAUCHE | COBERTURA DE VALVULA DE BLOQUEO IZQ | 1 |
| 032 | 17215043 | COPERTURA VALVOLA DI BLOCCO DX | RH BLOCK VALVE COVER | ABDECKUNG SPERRVENTIL RECHTS | COUVERTURE SOUPAPE DE BLOCAGE DROITE | COBERTURA DE VALVULA DE BLOQUEO DER | 1 |
| 033 | 96605421 | VITE TE M 8X 16 UNI 5739 8.8 ZN | BOLT TE M 08X016 UNI 5739 8.8 ZN | SCHRAUBE TE M 8 X 16 UNI 5739 8.8 ZN | VIS TE M 08X016 UNI 5739 8.8 ZN | TORNILLO TE M 8X 16 UNI 5739 8.8 ZN | 8 |
| 034 | 97094911 | ROSETTA PIANA 08,4X16X1,6 M 8 ZN UNI6592 | SMOOTH WASHER UNI 6592 - 08,4X16X1,6 ZN | GLATTE SCHEIBE UNI 6592 - 8,4X16X1,6 ZN | RONDELL.LISSE UNI 6592 - 08,4X16X1,6 ZN | ARANDELA PLANA UNI 6592-08,4X16X1,6 ZN | 8 |

| | | | | | | | |
|-----|----------|--|--|--|--|--|----|
| 035 | 96508360 | GUARNIZ.TIPO BONDED AUTOCENT. 3/8" | COPPER GASKET 17 X 22 (3/8") | KUPFERDICHTUNG 17 X 22 (3/8") | JOINT EN CUIVRE 17 X 22 (3/8") | JUNTA SECC. RECT. A17 X 22 (3/8") | 10 |
| 036 | 42012059 | TAPPO RIDUZIONE M 3/8" - F 1/4" | SHAFT M 3/8" - F 1/4" L=33 | ANPASSUNGSSTUECK M 3/8" - F 1/4" L=33 | PROLONGE M 3/8" - F 1/4" L=33 | PROLONGACION M 3/8" - F 1/4" L=33 | 4 |
| 037 | 20012009 | CURVA 90° COMPATTA M - M ORIENT. 1/4" | JOIN 90° M-M GIREVOLE 1/4" + GUARNIZ. | KNIE 90° M-M DREHBAR 1/4" + DICHTUNG | CONNECTIONS 90° M-M GIREVOLE 1/4" + GUAR | CONNECTIONS 90° M-M GIREVOLE 1/4" + GUAR | 4 |
| 038 | 10412105 | TUBO IDR R2AT 1/4" 2200-FD-FD | HOSE SAE R2ATDN 1/4"X 2200 FD -FD | SCHLAUCH SAE R2ATDN 1/4"X 2200 FD-FD | TUBE SAE R2ATDN 1/4"X 2200 FD -FD | TUBO SAE R2ATDN 1/4"X 2200 FD -FD | 4 |
| 040 | 10412152 | NIPPLO DI RIDUZIONE M-M 3/8" - 1/4" | ADAPTING COUPLING M-M 1/4"-3/8" | REDUZIERNIPPL M-M 1/4"-3/8" | JOINT ADAPTEUR M-M 1/4"-3/8" | EMPALME REDUCTOR M-M 1/4"-3/8" | 4 |
| 041 | 17112003 | BLOCCO DFR A 3 VIE 3/8" | ALUM.BLOC | BLOCK DFR 3-WEGE 3/8" | BLOC D'ALUM. | BLOQUE ALUM. | 2 |
| 042 | 96690227 | VITE TCEI M 6X 90 UNI 5931 8.8 ZN | BOLT TCEI M 6X 90 UNI 5931 8.8 ZN | SCHRAUBE TCEI M 6X 90 UNI 5931 8,8 ZN | VIS TCEI M 6X 90 UNI 5931 8.8 ZN | TORNILLO TCEI M 6X 90 UNI 5931 8.8 ZN | 2 |
| 043 | 97494731 | RONDELLA DIN 127B ELSP-6,1X11,8X1,6 Z | WASHER ELSP ASA B- 27 - 06,1X11,8X1,6 ZN | SCHEIBE ELSP ASA B-27 - 06,1X11,8X1,6 ZN | RONDELLE ELS ASA B- 27 - 06,1X11,8X1,6 Z | ARANDELA ELSP ASA B-27-6,1X11,8X1,6 ZN | 2 |
| 044 | 17112005 | TAPPO BRUGOLA M 27X2 | CAP M 27X2 | PFROPFEN F. INBUSSCHLUESSEL M 27X2 | BOUCHON M 27X2 | TAPON M 27X2 | 2 |
| 046 | 19012008 | NIPPLO M-M 3/8" | COUPLING M-M 3/8" | ANSCHLUSS STUECK - M 3/8" | JOINT M-M 3/8" | EMPALME M-M 3/8" | 2 |
| 047 | 10412104 | TUBO IDR R2AT 3/8" 600-FD-F45 | HYDR. TUBE SAE R2ATDN 3/8"X 600 FD-F4 | SCHLAUCH SAE R2ATDN 3/8"X 600 FD-F4 | TUYAU HYDR SAE R2ATDN 3/8"X 600 FD-F4 | TUBO HIDR SAE R2ATDN 3/8"X 600 FD-F4 | 2 |
| 048 | 42012035 | RACCORDO RIDUZ. F1/2" - M3/8" L.ES=25 | REDUCTION FITTING F1/2" - M3/8" L.ES=25 | ANSCHLUSS REDUZIERST. F1/2- M3/8 L.ES=25 | RACCORD REDUCT. F1/2" - M3/8" L.ES=25 | EMPALME REDUC. H1/2" - M3/8" L.ES=25 | 2 |
| 049 | 96508460 | GUARNIZ.TIPO BONDED AUTOCENT. 1/2" | COPPER GASKET 21,5X27 (1/2") | KUPFERDICHTUNG 21,5 X 27 (1/2") | JOINT EN CUIVRE 21,5X27 (1/2") | JUNTA SECC. RECT. A21,5X 27 (1/2") | 4 |
| 050 | 48112032 | RACCORDO PASSAPARETE M1/2"-M1/2" | PANEL FEED-THROUGH FITTING M1/2"-M1/2" | ANSCHLUSS SCHOTTVERSCHRAUBUNG M1/2"-M1/2 | RACCORD PASSE-PAROI M1/2"-M1/2" | RACOR PASAMUROS M1/2"-M1/2" | 2 |
| 051 | 10412024 | TUBO IDR R2AT 1/2" 1550-FD-FD | HYDR. TUBE SAE R2ATDN 1/2"X 1550 FD-FD | SCHLAUCH SAE R2ATDN 1/2"X 1550 FD-FD | TUYAU HYDR SAE R2ATDN 1/2"X 1550 FD-FD | TUBO HIDR SAE R2ATDN 1/2"X 1550 FD-FD | 2 |
| 052 | 19012009 | NIPPLO M-M 1/2" | COUPLING M-M 1/2" | NIPPL M-M 1/2" | JOINT M-M 1/2" | EMPALME M-M 1/2" | 2 |
| 053 | 19412004 | INNESTO RAPIDO TIPO "FASTER" 1/2" M | "FASTER" CLUTCH 1/2"M | SCHNELLKUPPLUNG "FASTER" 1/2"M | EMBRAYAGE RAPID "FASTER" 1/2"M | EMBRAGUE RAPIDO "FASTER" 1/2" MACHO | 2 |
| 054 | 97036611 | INGRASS DIRITTO UNI 7663 AM 6X1(5-8CH7 | GREASE NIPPLE UNI 7663 AM 6-5.8 | SCHMIERNIPPEL UNI 7663 AM 6X1 (5-8) | GRAISSEUR UNI 7663 AM 6-5.8 | LUBRICADOR UNI 7663 AM 6X1 (5-8CH7 | 4 |
| 055 | 18712001 | SOSTEGNO DIVISORI DI FLUSSO X RULLO | FLOW DIVIDER SUPPORT X ROLLER | HALTERUNG REGELVENTIL FUER WALZE | SUPPORT DIVISEURS DE FLUX POUR ROULEAU | SOPORTE DIVISORES DE FLUJO X RODILLO | 1 |
| 057 | 96607721 | VITE TE M10X 30 UNI 5739 8.8 ZN | BOLT TE M 10X030 UNI 5739 8.8 ZN | SCHRAUBE TE M 10 X 30 UNI 5739 8,8 ZN | VIS TE M 10X030 UNI 5739 8.8 ZN | TORNILLO TE M10X 30 UNI 5739 8.8 ZN | 2 |
| 058 | 20012019 | GUAINA DI PROTEZIONE D.32 L=2100 | PROTECTION SHEATH D.35 L=2100 | SCHUTZHUELLE D. 35 L=2100 | GAINA DE PROT. D.35 L=2100 | VAINA PROTECCION D.35 L=2100 | 2 |